

# Product Cut Sheet

## 19" 110D BLOCK MOUNTING PANELS

Used for easy and space-saving mounting of standard 110D Type Wiring Blocks (not included).

- Up to 1500 pair in one column can be mounted per side on a 7' (2.1 m) x 19" Rack
- Modular design allows up to 3000 pair in two columns to be mounted front and back on a 7' (2.1 m) x 19" CPI Rack
- Slotted large cable loops allow vertical cable runs to be added and removed easily
- Wall, backboard or 19"W Rack mountable (Rack not included.)
- Assembly hardware included

### Drawing Callouts:

- 1 Upper Support Trough
- 2 Lower Support Trough
- 3 Cable Tray
- 4 Vertical Cable Ring 3"W x 6.25"D (80 mm x 158.8 mm)
- 5 Horizontal Support Channel

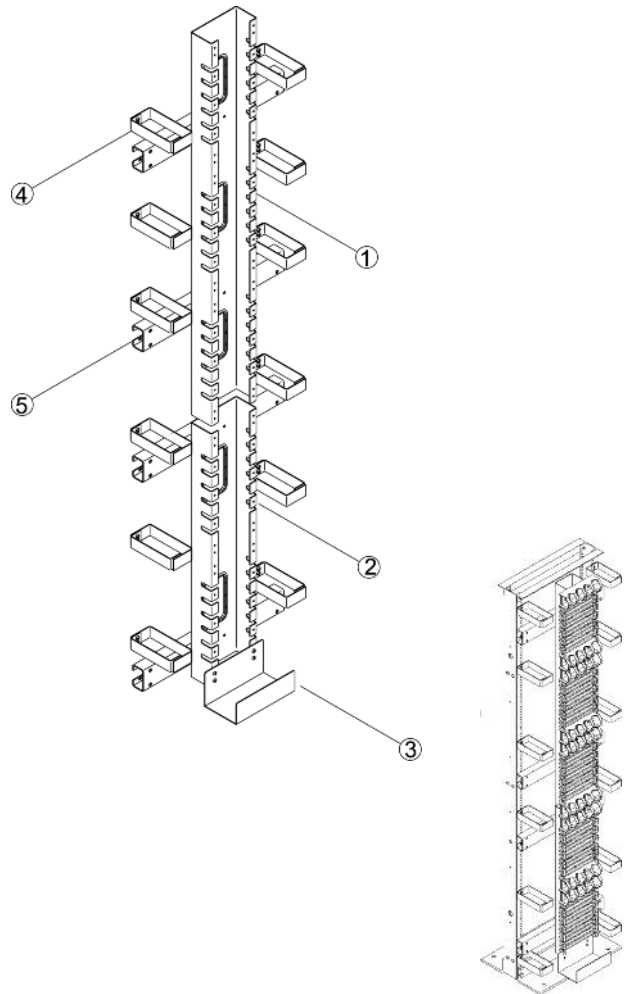
- 11483-X30 Kit (1500 pair) consists of:
  - (1) Upper Support Trough
  - (1) Lower Support Trough
  - (1) Cable Tray
  - (4) Horizontal Support Channels
  - (12) Vertical Cable Rings
- 11483-X60 Kit (3000 pair) consists of:
  - (2) Upper Support Troughs
  - (2) Lower Support Troughs
  - (2) Cable Trays
  - (8) Horizontal Support Channels
  - (24) Vertical Cable Rings

### Purchase the following items separately from CPI:

- CPI 19" Universal Rack (P/N 46353-X03)
- 3"D (80 mm) Standard Rack (P/N 55053-X03)
- 6"D (150 mm) Standard Rack (P/N 66353-X03)

### Purchase the following items separately (not available from CPI):

- 110D Type Wiring Blocks
- Horizontal Trough
- Mounting Rivet Kit for blocks and trough



Part Number	Description
11483-X15	19" 110D Block Mounting Panels (3000 pair)
11483-X30	19" 110D Block Mounting Panels (6000 pair)

X=color: 1=Gray, 2=Computer Beige, 5=Clear, 7=Black, E=Glacier White

800-834-4969 in U.S. & Canada • [www.chatsworth.com](http://www.chatsworth.com)



CHATSWORTH PRODUCTS

©2013 Chatsworth Products, Inc. All rights reserved. CPI, CPI Passive Cooling, GlobalFrame, MegaFrame, Saf-T-Grip, Seismic Frame, SlimFrame, TeraFrame, Cube-IT Plus, Evolution, OnTrac, Velocity and QuadraRack are federally registered trademarks of Chatsworth Products. eConnect and Simply Efficient are trademarks of Chatsworth Products. All other trademarks belong to their respective companies. 6/13