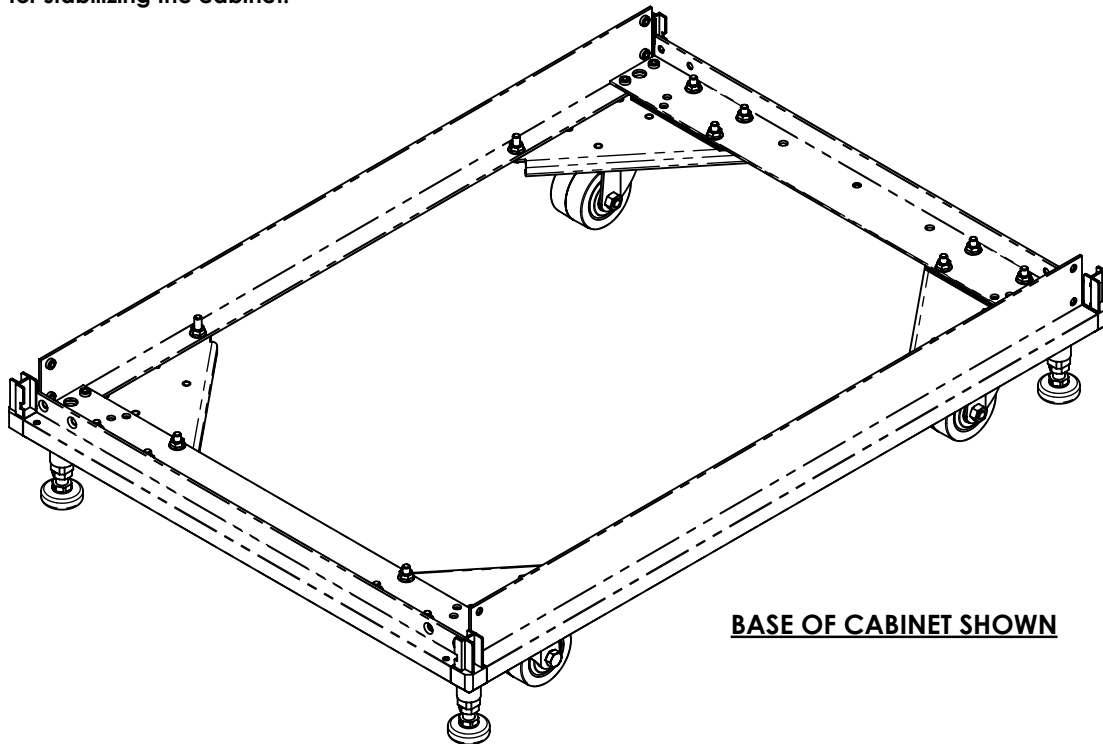
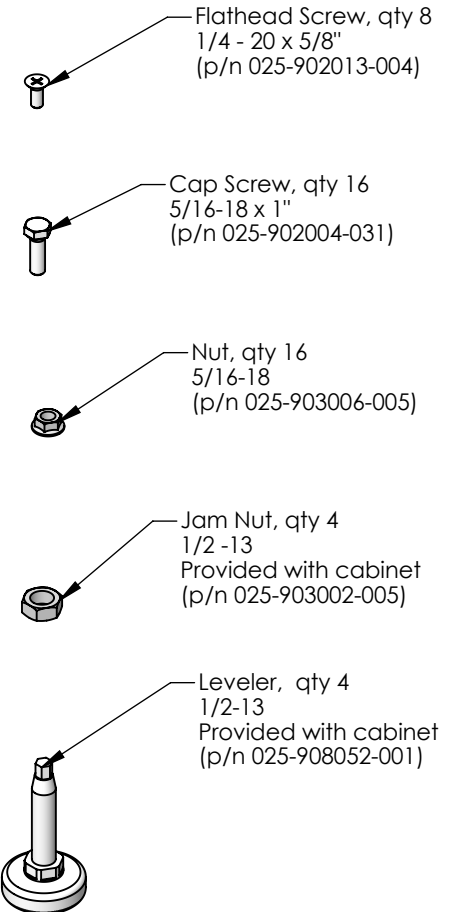


CAUTION!

1. Static load rating with casters: 2000 lb.
2. Cabinets with installed casters should be moved with care. Sudden stops, excessive force and uneven surfaces may cause the cabinet to overturn. It is easier to move the rack with the back as the leading edge and never push on the sides.
3. To reduce the risk of personal injury or damage to the equipment, do not attempt to move the large equipment racks by yourself. Obtain adequate assistance to stabilize the rack during movement or hire professional equipment riggers.
4. Prior to loading be sure to level cabinet by adjusting and locking the leveling feet. Casters are not recommended for stabilizing the cabinet.

**BASE OF CABINET SHOWN****Notes:**

1. **IMPORTANT:** To get cabinet to a 2000 lb load rating on casters use part number 13203-001 (MF Caster Kit).
2. If the MegaFrame cannot accommodate the caster kit, this may be because the cabinet was manufactured prior to this upgrade. Contact CPI technical support for an upgraded cabinet.

HARDWARE LIST:

CPI CHATSWORTH PRODUCTS, INC.

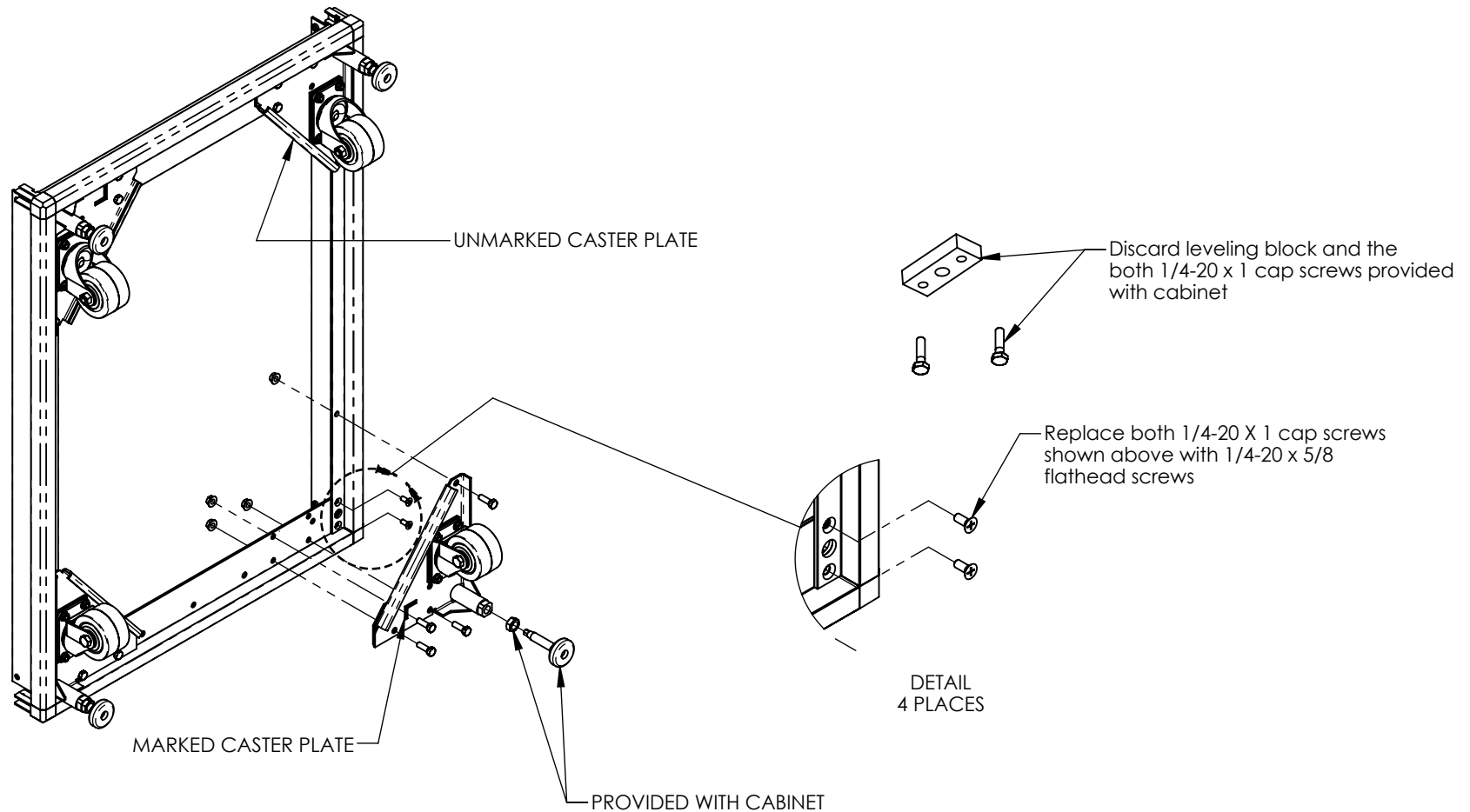
800-834-4969 techsupport@chatsworth.com www.chatsworth.com

**MEGAFRAME CASTER KIT,
2000 LB LOAD RATING,
INSTALLATION INSTRUCTIONS**

THIS DRAWING CONTAINS INFORMATION PROPRIETARY TO CHATSWORTH PRODUCTS, INC. ANY REPRODUCTION DISCLOSURE OR USE OF THIS DRAWING IS EXPRESSLY FORBIDDEN EXCEPT AS AGREED TO IN WRITING BY CHATSWORTH PRODUCTS, INC.

Procedure

1. Installation is easiest when frame is laying on its side.
2. Remove the four (4) leveling feet by loosening jam nuts and set aside.
3. Locate and disassemble the four (4) corner blocks and its' accompanied hardware, shown below, and discard them.
4. Replace the discarded hardware from step 3 with 1/4-20 x 5/8 flathead screws. See Detail below.
5. Assemble each gusset caster kit with the four (4) 5/16-18 x 1 screws and 5/16 nuts.
6. Install the leveler feet and hex jam nut from step 2.
7. Always install all parts as shown, including leveler feet with jam nuts, for proper stability.



BASE OF CABINET SHOWN