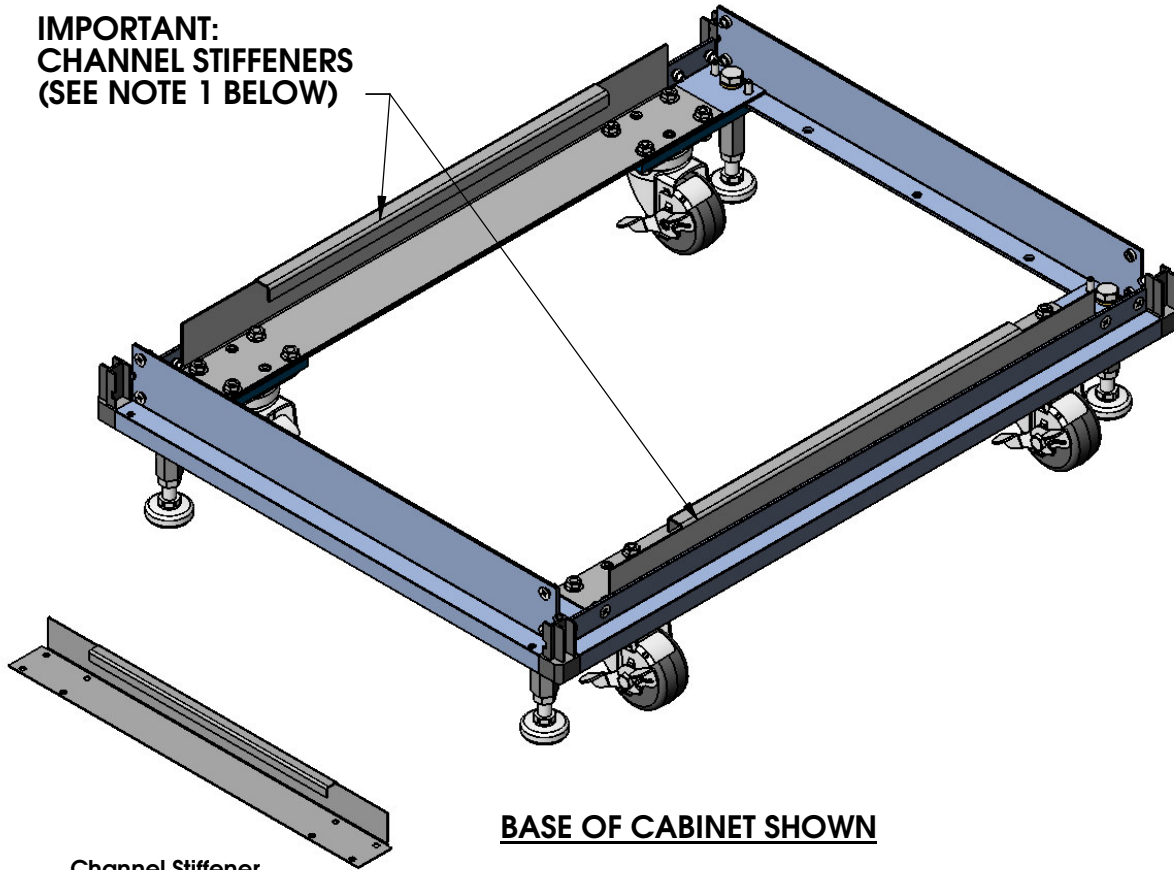


**CAUTION!**

1. Static load rating with casters: 2000 lb.
2. When moving the cabinet never push on the sides.
3. It is recommended to unload cabinet before moving it.
4. Prior to loading be sure to level cabinet by adjusting and locking the leveling feet. Casters are not recommended for stabilizing the cabinet.

**IMPORTANT:  
CHANNEL STIFFENERS  
(SEE NOTE 1 BELOW)**










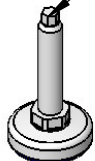
Channel Stiffener  
p/n 13202  
(Reference)


**BASE OF CABINET SHOWN**

**Notes:**

1. **IMPORTANT:** The SlimFrame cabinet is rated for 2000 lb load bearing capacity only if Channel Stiffener (p/n 13202-10X) and Caster Kit (p/n 13204-001) are installed as shown. The Stiffener is installed at the factory and is not part of the Caster Kit. If the Stiffener is not present, this may be because the cabinet was manufactured prior to this upgrade. Contact CPI technical support for guidance on upgrading before installing kit.

**HARDWARE LIST:**

-  Cap Screw, qty 4  
1/2 -13 x 1  
(p/n 025-020290-508)
-  Cap Screw, qty 8  
1/4-20 x 3/4  
(p/n 025-020290-106)
-  Cap Screw, qty 16  
5/16-18 x 1  
(p/n 025-902004-031)
-  Nut, qty 16  
5/16-18  
(p/n 025-903006-005)
-  Lock Washer, Split, qty 4  
1/2  
(p/n 025-020141-100)
-  Hex Coupler, qty 4  
1/2 -13 x 2.5  
(p/n 025-712355-001)
-  Jam Nut, qty 4  
1/2 -13  
Provided with cabinet  
(p/n 025-903002-005)
-  Leveler, qty 4  
1/2-13  
Provided with cabinet  
(p/n 025-908052-001)



**CHATSWORTH PRODUCTS, INC.**  
800-834-4969 techsupport@chatsworth.com www.chatsworth.com

**SLIMFRAME CASTER KIT,  
2000 LB LOAD RATING,  
INSTALLATION INSTRUCTIONS**

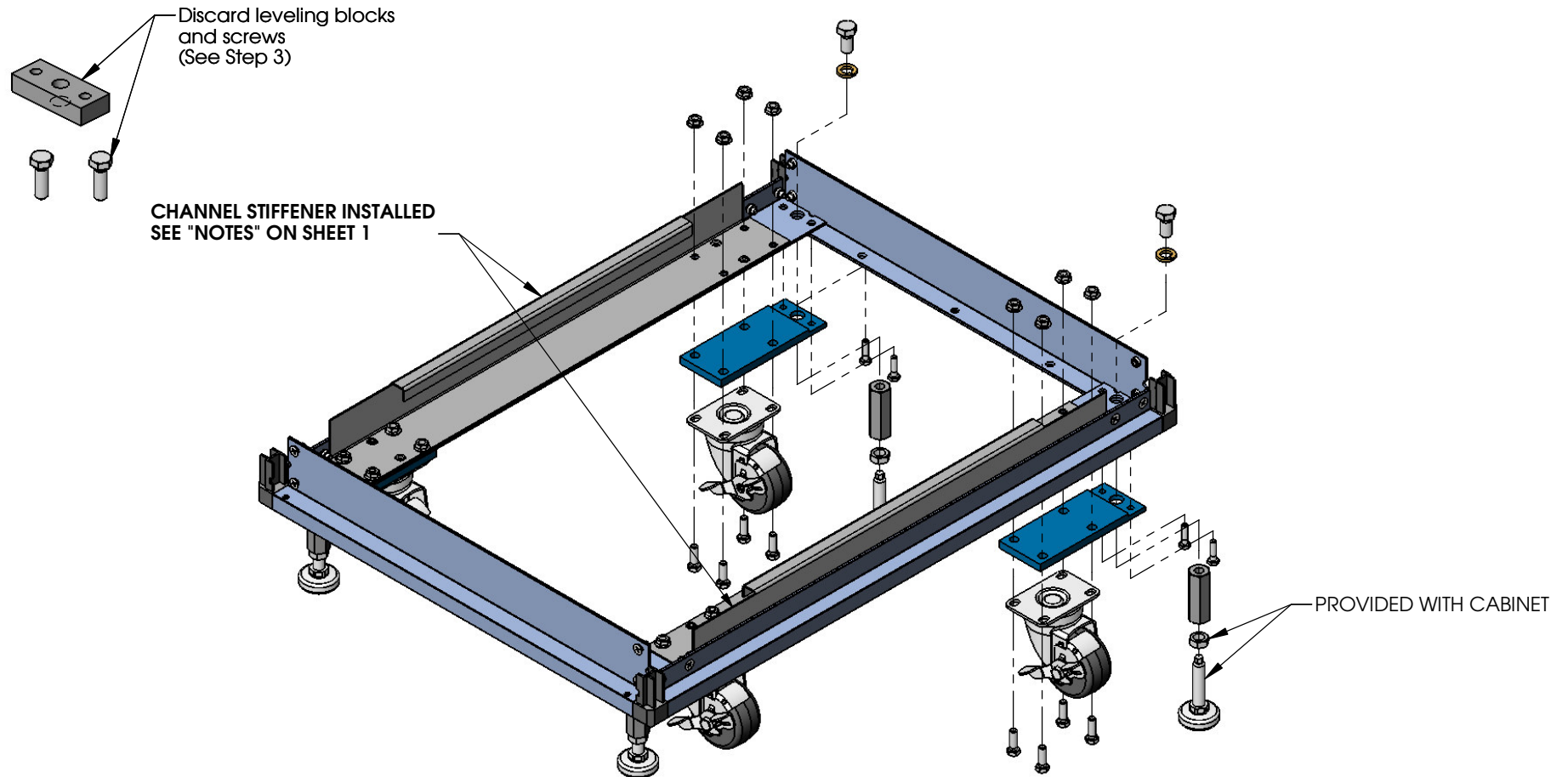
THIS DRAWING CONTAINS INFORMATION PROPRIETARY TO CHATSWORTH PRODUCTS, INC. ANY REPRODUCTION DISCLOSURE OR USE OF THIS DRAWING IS EXPRESSLY FORBIDDEN EXCEPT AS AGREED TO IN WRITING BY CHATSWORTH PRODUCTS, INC.

## Procedure

1. Installation is easiest when frame is laying on its side.
2. Remove the four (4) leveling feet by loosening jam nuts and set aside.
3. Locate and disassemble the four (4) corner blocks and hardware (shown below) and discard.
4. Disassemble the four (4) 5/16-18 x 1" cap screws and 5/16-18 nuts used to support Channel Stiffener. Retain as spare hardware or discard.
5. Mount the rectangular plates with 1/4-20 x 3/4" cap screws.

## Con't

6. Install the casters with 5/16-18 x 1" caps screws and 5/16-18 nuts.
7. Assemble the 1/2-13 x 2-1/2" coupler nut with 1/2-13 x 1" cap screw and 1/2 lock washer.
8. Install the levelers and jam nuts from step 2.
9. Always install all parts as shown, including leveler feet with jam nuts, for proper stability.



**BASE OF CABINET SHOWN**