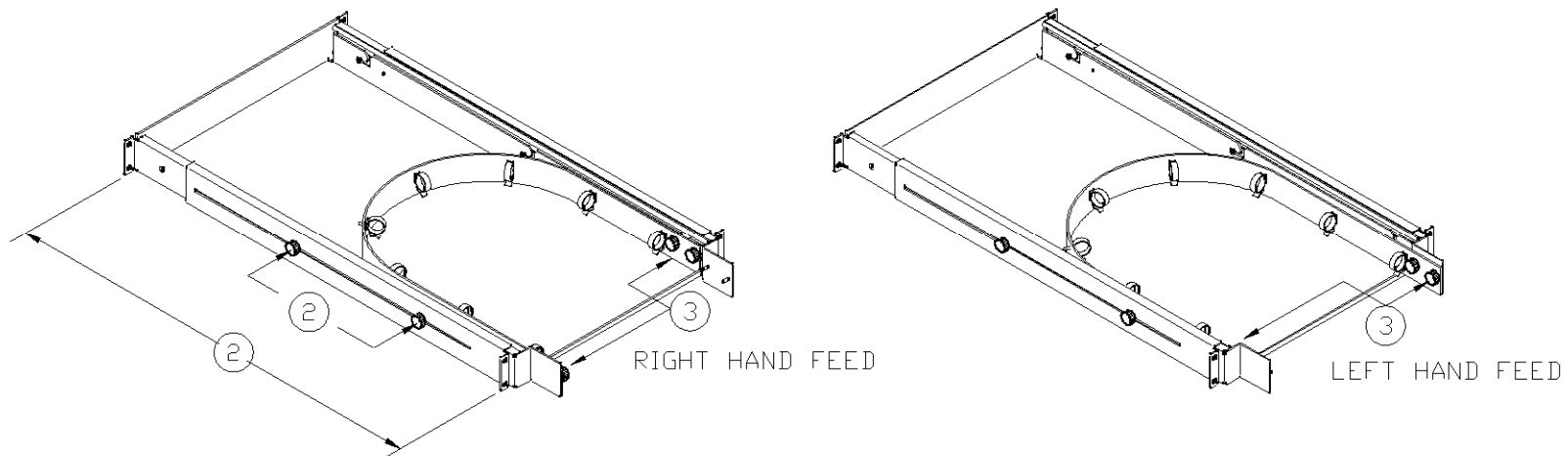


INSTALLATION INSTRUCTIONS - FOR TWO PERSONS (RECOMMENDED)

(FOR SINGLE PERSON INSTALLATION, REFER TO SHEETS 3 - 6)



1. REMOVE SHELF FROM CARTON (SHELF IS SHIPPED BOTTOM SIDE UP).
- ② LOOSEN ADJUSTING KNOBS AND SET MOUNTING BRACKETS TO APPROXIMATE DISTANCE BETWEEN RAILS. LIGHTLY RE-TIGHTEN KNOBS.
- ③ NOTE MOUNTING POSITION OF CABLE MANAGER. TO REVERSE CABLE FEED, ALTERNATE CABLE MANAGER MOUNT ORIENTATION AS SHOWN.

NOTE: SHELF MAY CONTAIN VENT HOLES, NOT SHOWN HERE.

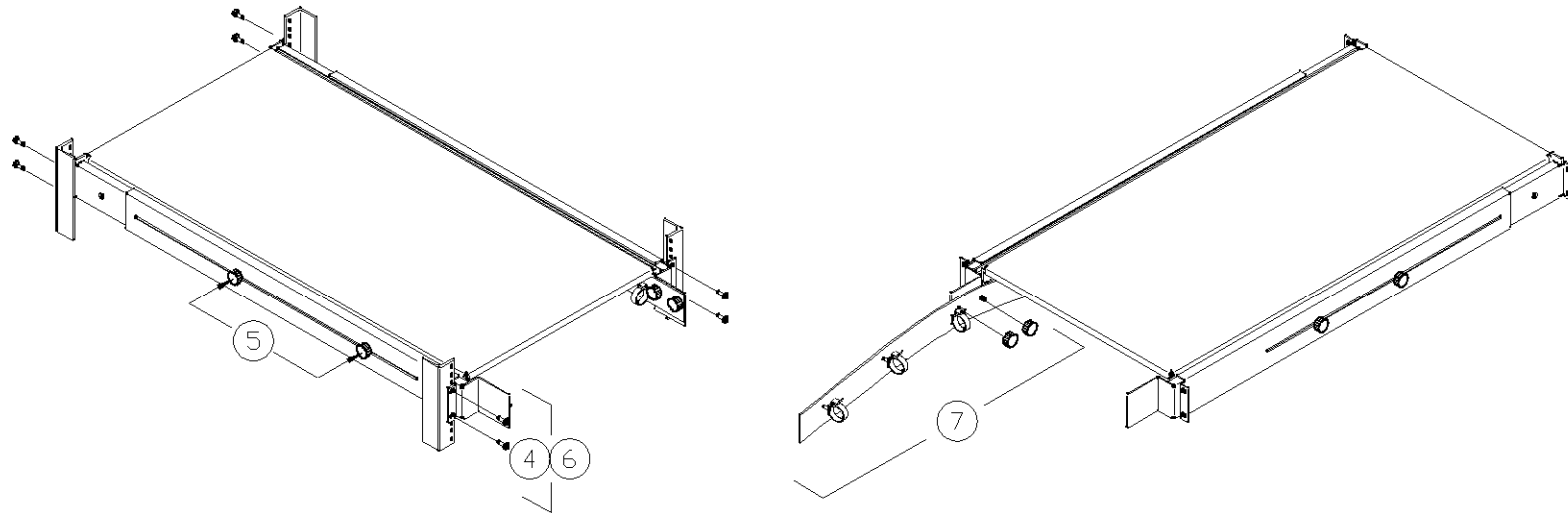


INSTALLATION INST
 32" DEEP
 SLIDING SHELVES

THIS DRAWING CONTAINS INFORMATION PROPRIETARY TO CHATSWORTH PRODUCTS, INC. ANY REPRODUCTION DISCLOSURE OR USE OF THIS DRAWING IS EXPRESSLY FORBIDDEN EXCEPT AS AGREED TO IN WRITING BY CHATSWORTH PRODUCTS, INC.

INSTALLATION INSTRUCTIONS - FOR TWO PERSONS (RECOMMENDED)

(FOR SINGLE PERSON INSTALLATION, REFER TO SHEETS 3 - 6)



- ④. INSTALL AS SHOWN AND SECURE, BUT DO NOT FULLY TIGHTEN, 8 EA MOUNTING SCREWS (NOT INCLUDED).
- ⑤. HAND TIGHTEN KNOBS.
- ⑥. FINISH TIGHTENING 8 EA MOUNTING SCREWS.
- ⑦. TO LOAD CABLE, WITHDRAW MANAGER AS SHOWN AND SECURE WITH KNOBS. LOAD CABLE AS NEEDED, REPOSITION CABLE MANAGER, AND HAND TIGHTEN KNOBS.
8. INSTALLATION IS COMPLETE.

NOTE: SHELF MAY CONTAIN VENT HOLES, NOT SHOWN HERE.

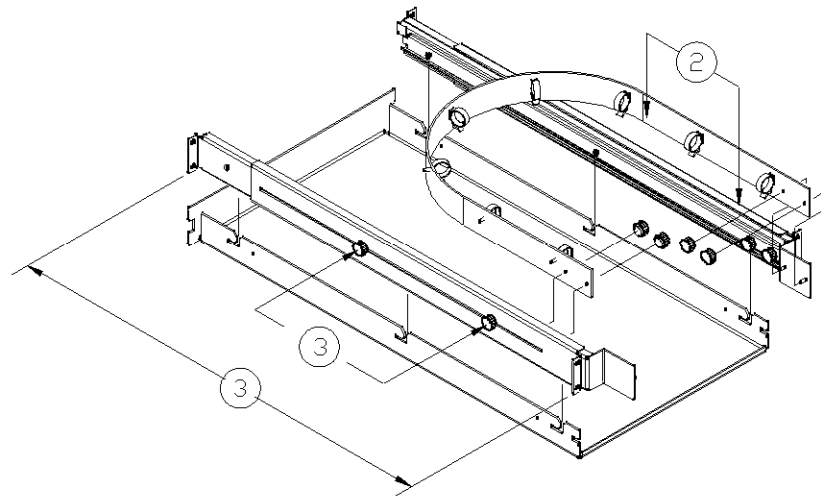
CPI CHATSWORTH PRODUCTS, INC.

INSTALLATION INST
32" DEEP
SLIDING SHELVES

THIS DRAWING CONTAINS INFORMATION PROPRIETARY TO CHATSWORTH PRODUCTS, INC. ANY REPRODUCTION, DISCLOSURE, OR USE OF THIS DRAWING IS EXPRESSLY FORBIDDEN EXCEPT AS AGREED TO IN WRITING BY CHATSWORTH PRODUCTS, INC.

INSTALLATION INSTRUCTIONS - FOR ONE PERSON

(FOR TWO PERSON INSTALLATION, REFER TO SHEETS 1 AND 2)



1. REMOVE SHELF FROM CARTON (SHELF IS SHIPPED BOTTOM SIDE UP).
- ② REMOVE CABLE MANAGER ASSEMBLY AND MOUNTING BRACKETS.
- ③ LOOSEN KNOBS AND SET MOUNTING BRACKETS TO APPROXIMATE DISTANCE BETWEEN RAILS. LIGHTLY RE-TIGHTEN KNOBS.

NOTE: SHELF MAY CONTAIN VENT HOLES, NOT SHOWN HERE.

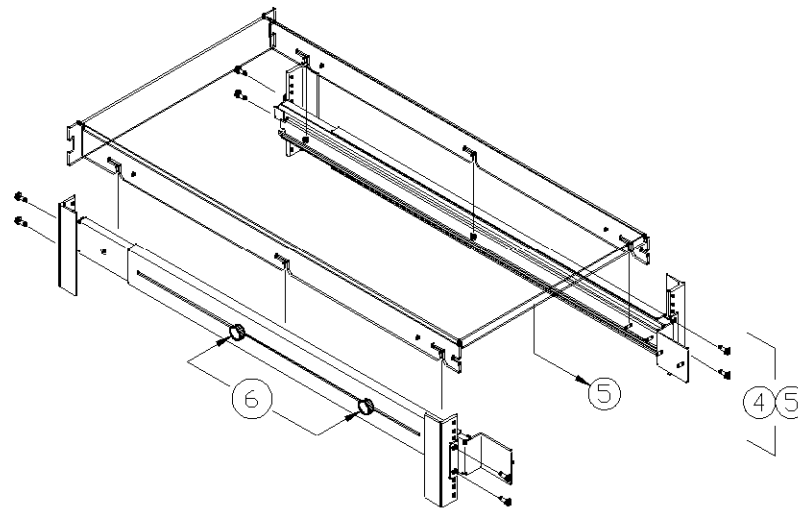


INSTALLATION INST
32" DEEP
SLIDING SHELVES

THIS DRAWING CONTAINS INFORMATION PROPRIETARY TO CHATSWORTH PRODUCTS, INC. ANY REPRODUCTION, DISCLOSURE, OR USE OF THIS DRAWING IS EXPRESSLY FORBIDDEN EXCEPT AS AGREED TO IN WRITING BY CHATSWORTH PRODUCTS, INC.

INSTALLATION INSTRUCTIONS - FOR ONE PERSON

(FOR TWO PERSON INSTALLATION, REFER TO SHEETS 1 AND 2)



- ④. INSTALL MOUNTING BRACKETS ON RAILS. SECURE, BUT DO NOT FULLY TIGHTEN, 8 EA SCREWS (NOT INCLUDED).
- ⑤. DROP SHELF ONTO PINS. SLIDE SHELF REARWARD TO ENGAGE SLOTS. TIGHTEN 8 EA SCREWS.
- ⑥. HAND TIGHTEN KNOBS.

NOTE: SHELF MAY CONTAIN VENT HOLES, NOT SHOWN HERE.

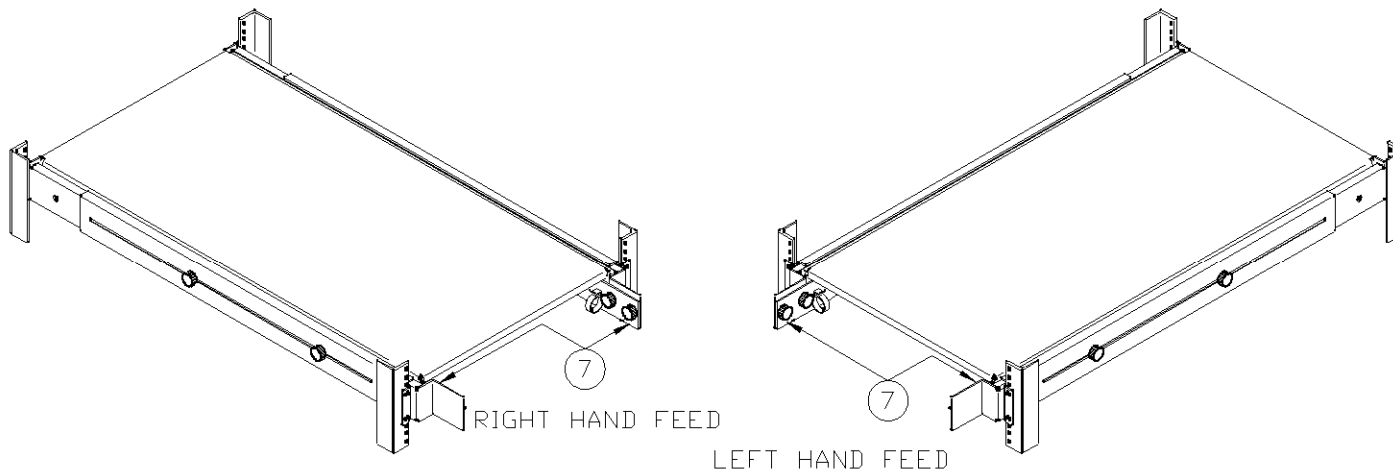


INSTALLATION INST
32" DEEP
SLIDING SHELVES

THIS DRAWING CONTAINS INFORMATION PROPRIETARY TO CHATSWORTH PRODUCTS, INC. ANY REPRODUCTION, DISCLOSURE, OR USE OF THIS DRAWING IS EXPRESSLY FORBIDDEN EXCEPT AS AGREED TO IN WRITING BY CHATSWORTH PRODUCTS, INC.

INSTALLATION INSTRUCTIONS - FOR ONE PERSON

(FOR TWO PERSON INSTALLATION, REFER TO SHEETS 1 AND 2)



⑦ INSTALL CABLE MANAGER WITH DESIRED CABLE FEED ORIENTATION AS SHOWN.

NOTE: SHELF MAY CONTAIN VENT HOLES, NOT SHOWN HERE.

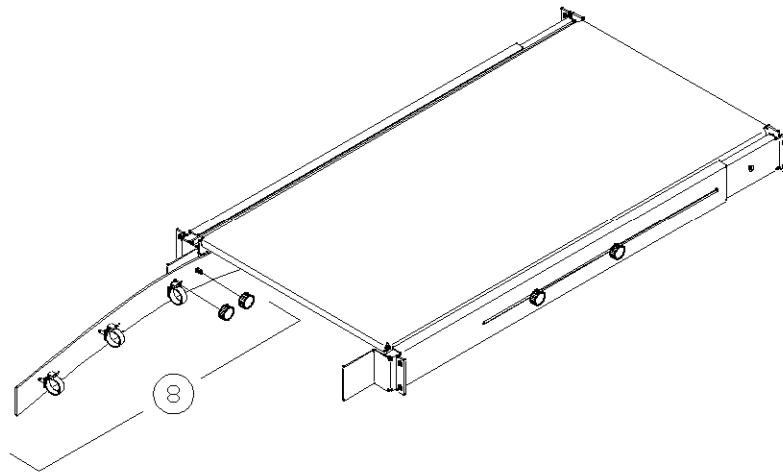
CPI CHATSWORTH PRODUCTS, INC.

INSTALLATION INST
32" DEEP
SLIDING SHELVES

THIS DRAWING CONTAINS INFORMATION PROPRIETARY TO CHATSWORTH PRODUCTS, INC. ANY REPRODUCTION, DISCLOSURE, OR USE OF THIS DRAWING IS EXPRESSLY FORBIDDEN EXCEPT AS AGREED TO IN WRITING BY CHATSWORTH PRODUCTS, INC.

INSTALLATION INSTRUCTIONS - FOR ONE PERSON

(FOR TWO PERSON INSTALLATION, REFER TO SHEETS 1 AND 2)



- ⑧ TO LOAD CABLE, WITHDRAW MANAGER AS SHOWN AND SECURE WITH KNOBS. LOAD CABLE AS NEEDED, REPOSITION CABLE MANAGER, AND HAND TIGHTEN KNOBS.
- 9. INSTALLATION IS COMPLETE.

NOTE: SHELF MAY CONTAIN VENT HOLES, NOT SHOWN HERE.



INSTALLATION INST
32" DEEP
SLIDING SHELVES

THIS DRAWING CONTAINS INFORMATION PROPRIETARY TO CHATSWORTH PRODUCTS, INC. ANY REPRODUCTION, DISCLOSURE, OR USE OF THIS DRAWING IS EXPRESSLY FORBIDDEN EXCEPT AS AGREED TO IN WRITING BY CHATSWORTH PRODUCTS, INC.