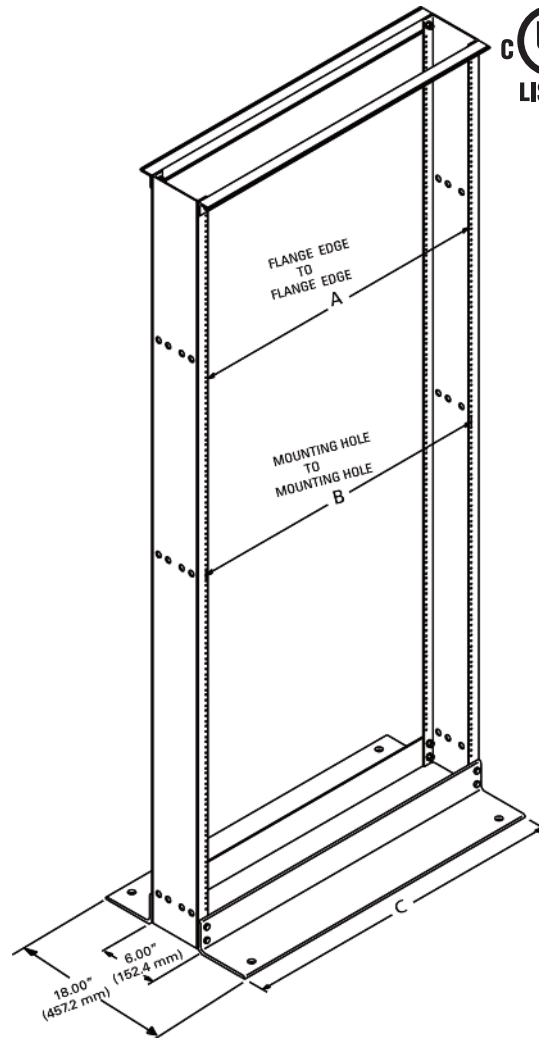


Product Cut Sheet

STANDARD RACK 6" D (150 MM)

Features 6" D (150 mm) upright mounting channels for MDF, IDF and other high-capacity distribution frame applications. The additional rack depth provides extra room for high-density equipment and cable needs.

- High-strength aluminum construction
- Supplied with (2) top angles for additional strength
- EIA-310-D Standard Universal 5/8"-5/8"-1/2" (15.9 mm-15.9 mm-12.7 mm) alternating hole pattern offers greater mounting flexibility and is fully compatible with conventional wide 1-1/4"-1/2" (31.8 mm-12.7 mm) alternating hole patterns
- Rack-mount unit marks simplify equipment installation
- High-strength, roll-formed threaded mounting holes
- Integrated masked grounding studs on the inside of the rack channel for quick attachment to the Telecommunications Grounding System
- Web channel holes allow easy installation of vertical cable mangers or baying of racks side-by-side
- Ships unassembled and individually packaged
- Includes assembly hardware and (50) pilot point #12-24 mounting screws with combination Phillips/Straight heads
- Weight capacity 1000 lb (453.6 kg) — weight must be evenly distributed and rack must be properly secured to the floor
- UL Listed; File E140851; Category DUXR (US), DUXR7 (Canada) – Communications Circuit Accessory



| Part Number | Description H x W Height - ft (m) | Shipping Weight lb (kg) |
|-------------|---|----------------------------|
| 66353-X03 | 7 (2.1) x 19", 45U | 38 (17.2) |
| 66383-X03 | 7 (2.1) x 23", 45U | 42 (19.1) |
| 66363-X03 | 7 (2.1) x 35", 45U | 52 (23.6) |

X=Color; 1=Gray, 2=Computer Beige, 5=Clear, 7=Black, E=Glacier White

| Rack Dimensions | | | |
|-----------------|-------------------------|-------------------------|-------------------------|
| Dimension | 19" EIA Rack in (mm) | 23" EIA Rack in (mm) | 35" EIA Rack in (mm) |
| A | 17.79 (451.9) | 21.79 (553.5) | 33.79 (858.3) |
| B | 18.31 (465.1) | 22.31 (566.7) | 34.31 (871.5) |
| C | 20.31 (515.9) | 24.31 (617.5) | 36.31 (922.3) |

P/N 66363 (35" W) Shown:

The 6" D (150 mm) Standard Rack is the high-capacity frame that is designed for use with cabling sections and is the basic frame around which the XLBET/MDF frames are developed.

800-834-4969 in U.S. & Canada • www.chatsworth.com



CHATSWORTH PRODUCTS

©2014 Chatsworth Products, Inc. All rights reserved. Chatsworth Products, CPI, CPI Passive Cooling, eConnect, MegaFrame, Saf-T-Grip, Seismic Frame, SlimFrame, TeraFrame, GlobalFrame, Cube-iT Plus, Evolution, OnTrac, QuadraRack and Velocity are federally registered trademarks of Chatsworth Products. Simply Efficient is a trademark of Chatsworth Products. All other trademarks belong to their respective companies. 04/14