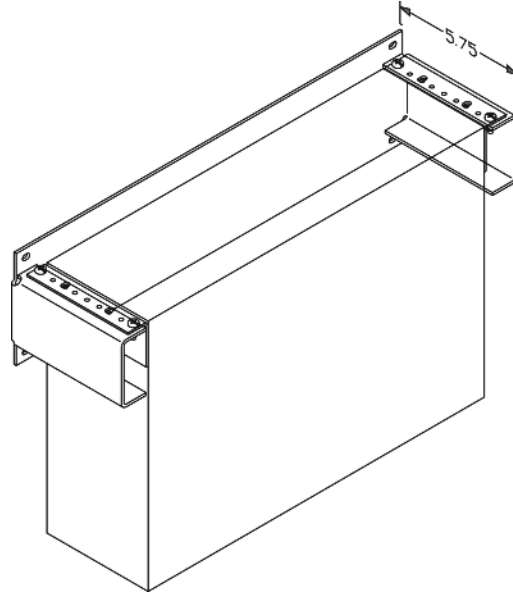


Product Cut Sheet

FLUSH-MOUNTED WALL BRACKET

This bracket makes it easy to mount up to two 1U or a single 2U piece of rack-mount equipment (1U = 1.75") flush to a wall. Ideal for small or tight spaced installations. Mounting hardware not included. Made of strong, lightweight aluminum. Note: This wall bracket is not rack-mountable.

- Load capacity of 75 lb



| Part Number | Description | Color |
|-------------|--------------|-------|
| 84500-700 | For 19" Rack | Black |

800-834-4969 in U.S. & Canada • www.chatsworth.com



CHATSWORTH PRODUCTS, INC.

©2010 Chatsworth Products, Inc. All rights reserved. CPI, CPI Passive Cooling, Saf-T-Grip, Seismic Frame, SlimFrame, MegaFrame and TeraFrame are federally registered trademarks of Chatsworth Products, Inc. Cube-iT Plus, Evolution, OnTrac, QuadraRack and Simply Efficient are trademarks of Chatsworth Products, Inc. All other trademarks belong to their respective companies. 01/10