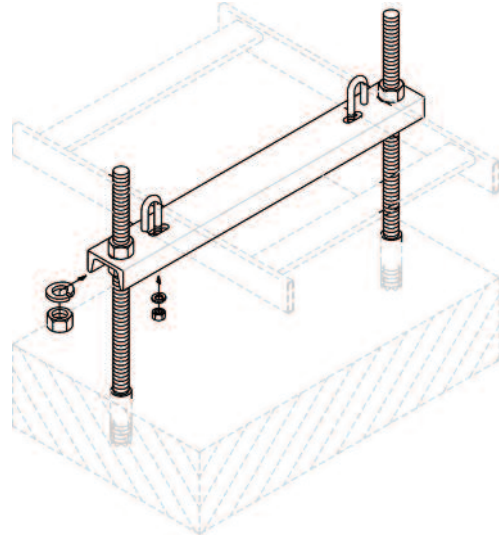


# Product Cut Sheet

## ADJUSTABLE FLOOR SUPPORT CHANNEL, CABLE RUNWAY

Use for floor support of Cable Runway.

- Sold in pairs
- Cable Runway height adjustable from 3" to 8" (80 mm to 200 mm)
- Must be securely fastened to floor with 5/8" rods and anchors (included)



1/2 Pair Shown

Part Number	Runway Width in (mm)
11241-X12	12 (300)
11241-X15	15 (380)
11241-X18	18 (460)

*Note: X=color: 1=Gray, 2=Computer Beige, 7=Black, Glacier White. To install the anchors, use the specially designed anchor setting tool (P/N 06003-001) sold separately.*

800-834-4969 in U.S. & Canada • [www.chatsworth.com](http://www.chatsworth.com)



CHATSWORTH PRODUCTS

©2013 Chatsworth Products, Inc. All rights reserved. CPI, CPI Passive Cooling, GlobalFrame, MegaFrame, Saf-T-Grip, Seismic Frame, SlimFrame, TeraFrame, Cube-IT Plus, Evolution, OnTrac, Velocity and QuadraRack are federally registered trademarks of Chatsworth Products. eConnect and Simply Efficient are trademarks of Chatsworth Products. All other trademarks belong to their respective companies. 6/13