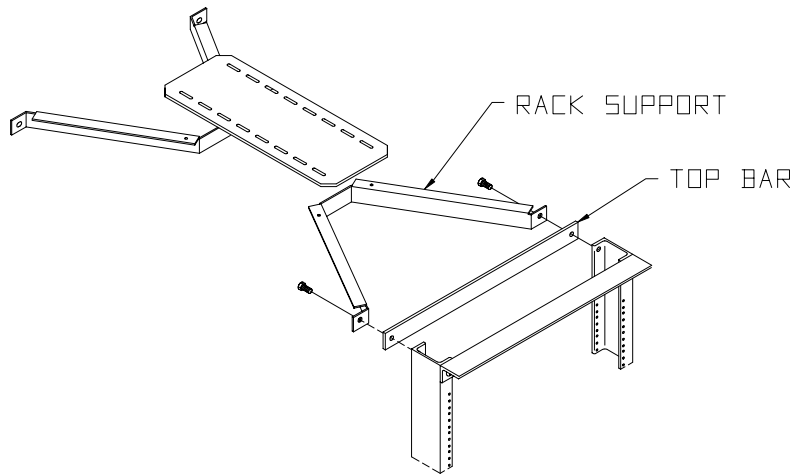
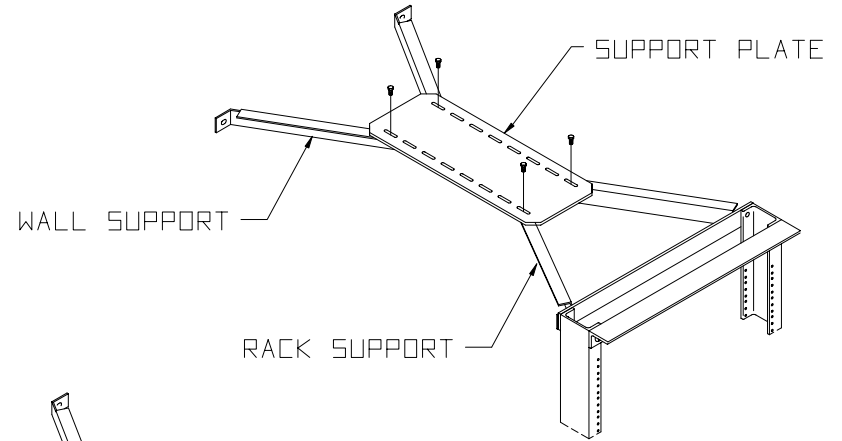


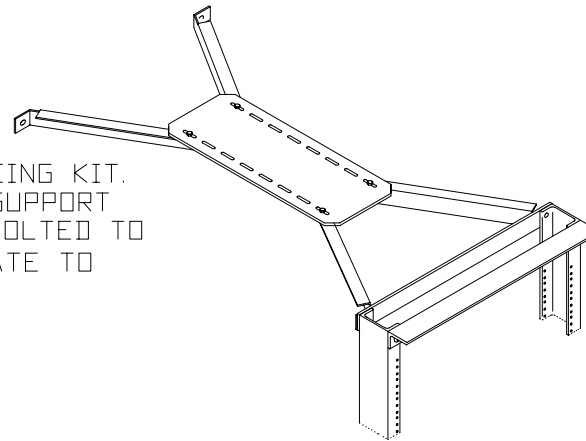
1. REMOVE TOP ANGLE AND REPLACE WITH TOP BAR AND RACK SUPPORT.



2. ONCE YOU HAVE ADJUSTED PLATE TO THE APPROXIMATE DISTANCE FROM WALL SLIGHTLY FASTEN PLATE TO WALL/RACK SUPPORTS.



3. USING A LEVEL, LEVEL BRACING KIT. ONCE LEVELED, BOLT WALL/SUPPORT TO WALL STRUCTURE. ONCE BOLTED TO WALL, SECURELY FASTEN PLATE TO WALL/RACK SUPPORTS.



2. IT IS ADVISED THAT WALL/RACK BRACING KIT BE MOUNTED TO A 3/4" PLYWOOD BACKBOARD, SECURELY FASTENED TO THE WALL STUDS.

1. WALL SUPPORT & RACK SUPPORT ARE SYMMETRICAL.

NOTE:



## RACK BRACING KIT INSTALLATION INSTRUCTIONS

THIS DRAWING CONTAINS INFORMATION PROPRIETARY TO CHATSWORTH PRODUCTS, INC. ANY REPRODUCTION DISCLOSURE OR USE OF THIS DRAWING IS EXPRESSLY FORBIDDEN EXCEPT AS AGREED TO IN WRITING BY CHATSWORTH PRODUCTS, INC.