

Installation Instructions

TERAFRAME AIR DAM

Tools Required

13mm socket wrench
#2 Phillips screw driver

Parts List

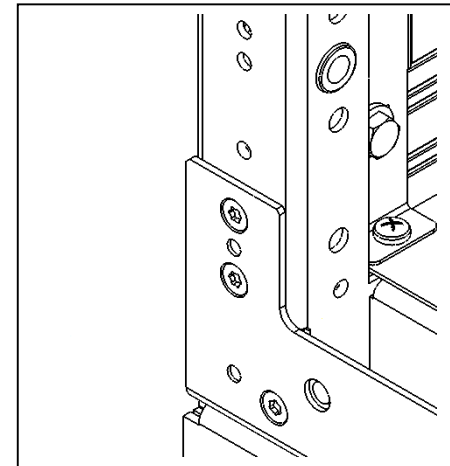
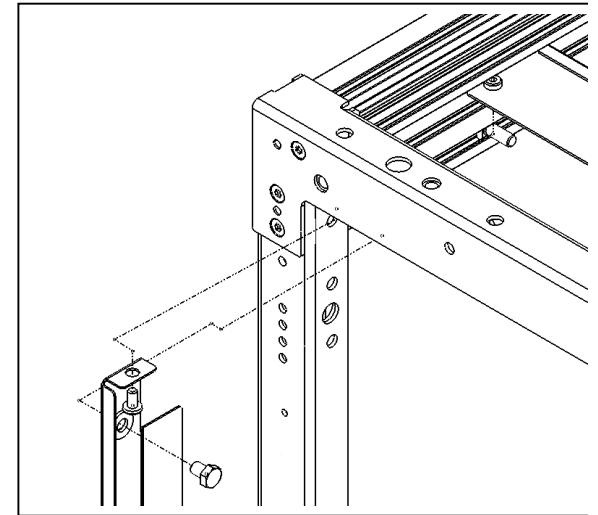
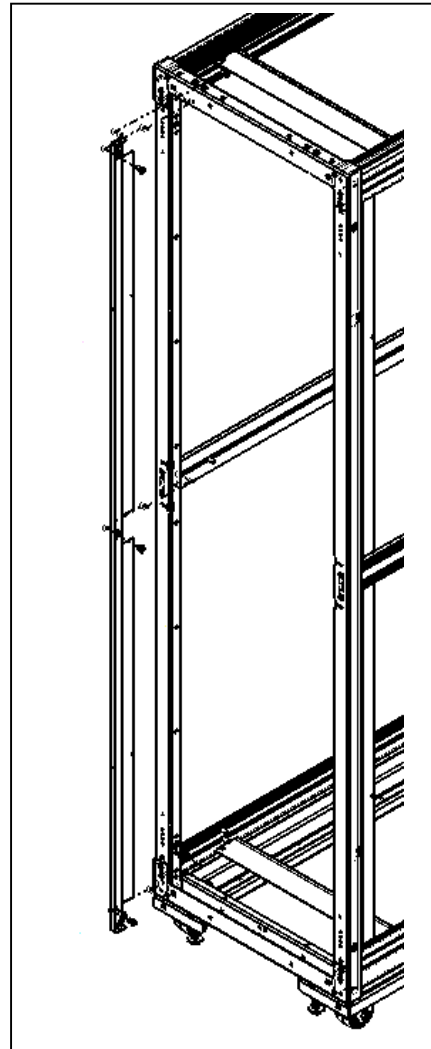
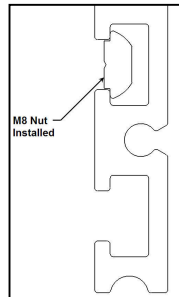
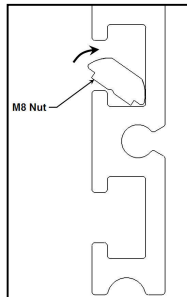
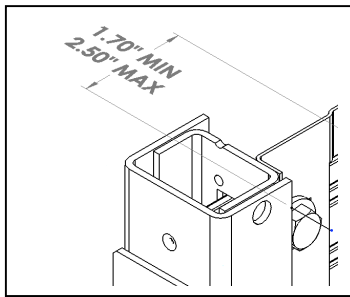
2 Air Dam side baffle panels
2 Air Dam top and bottom panels
6 M8 Bolts, Washers, and drop-in nuts
4 M6X12 Phillips head screws

Installation Notes

- Front rails must be recessed a minimum distance of 1.70" and a maximum of 2.50" as shown.
- The Air dam is designed to be installed in a non populated cabinet.

Assembly Sequence

1. Insert M8 drop-in nuts in the slides as shown. Attach the air dam Side baffle panels on the left and right side of cabinet.
2. Attach the top and bottom air dam panels using 4 M6x12 Screws



CHATSWORTH PRODUCTS, INC.

IIS-716270-001, 03/05/10, Rev 1, CPI/J. DAVIS

800-834-4969 (USA & Canada) • www.chatsworth.com • techsupport@chatsworth.com
For international phone numbers, see our website or contact CPI Tech Support.

This drawing contains proprietary and confidential information and is protected by U.S. and international law. Unauthorized reproduction, disclosure or use of the drawing or the information therein is expressly forbidden except as agreed to in writing Chatsworth Products, Inc.