

Installation Instructions

TERAFRAME FASCIA KIT

Tools Required

13mm Socket Wrench

Parts list

2 Fascia Brackets
4 M8x16 Bolts
4 M8X25 Bolts
4 M8 Drop-In Nuts
2 Top Baying Brackets

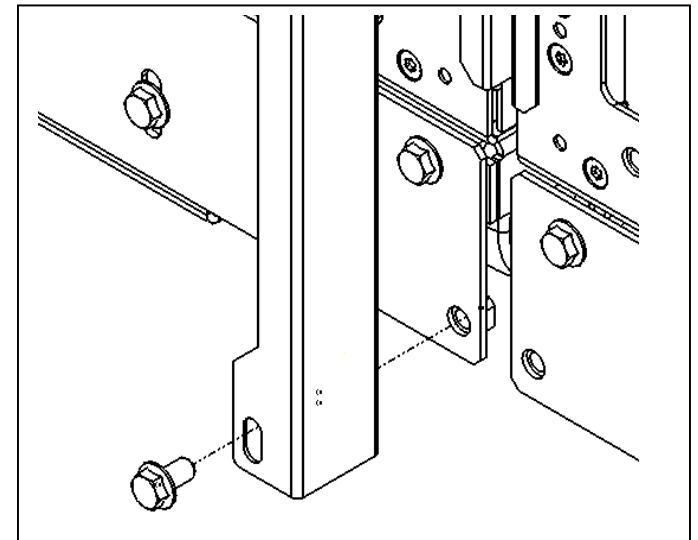
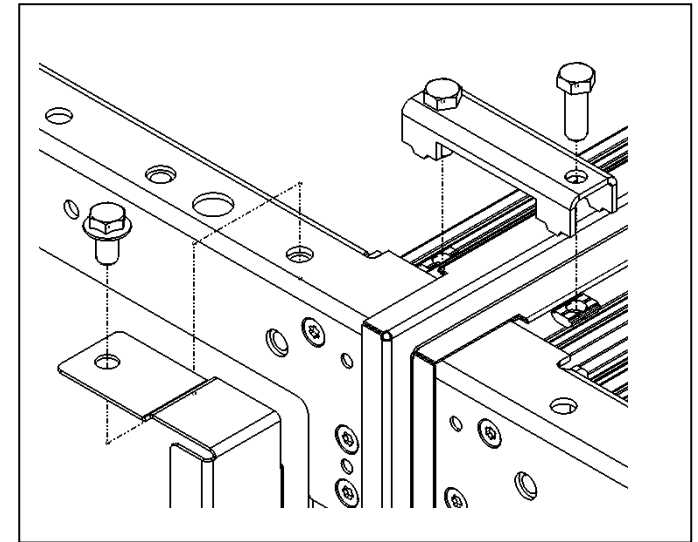
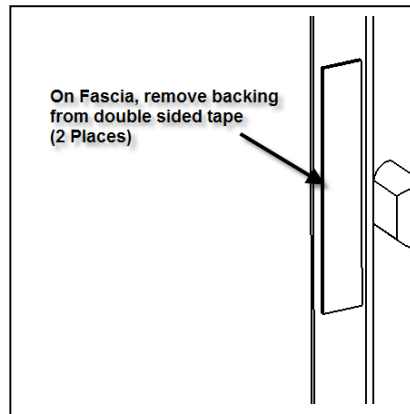
Installation Notes

1. The cabinet must be bolted in place, on 24" centers using bolt down Kit (CPI P/N 16279-X01).
2. This kit covers the air gap imposed when 600mm wide cabinets are bayed in alignment with 24-inch access floor tiles.
3. Cabinets are bayed with side panels on right and left sides.
4. Fascia attaches to a single cabinet side only. For best results, attach fascia before aligning its adjoining cabinet.

Assembly Sequence

Installing the fascia brackets

1. To attach fascia brackets:
 - a. Remove double sided tape backing from fascia (2 places).
 - b. Attach fascia at top and bottom using M8X16 bolts as shown.
 - c. Apply pressure to activate adhesive to side panel.
2. Repeat for both front and rear fascia installation.



Installation Instructions

TERAFRAME FASCIA KIT

Installing the baying brackets

1. Position two cabinets side by side. Cabinets must be of equal height and depth.
2. Insert M8 Drop-in nuts to the top channel of the adjustable slides in front and rear of each cabinet.
3. Place a baying bracket above the top frames at the front and rear of the cabinets. Finger-tighten the brackets with M8 bolts to the drop-in nuts.
4. Position the baying brackets completely forward or rear of the adjustable slide. Tighten M8 bolts with 13mm socket wrench.
5. If Vertical Exhaust Duct (VED) is installed, position rear baying bracket in clearances shown below.

