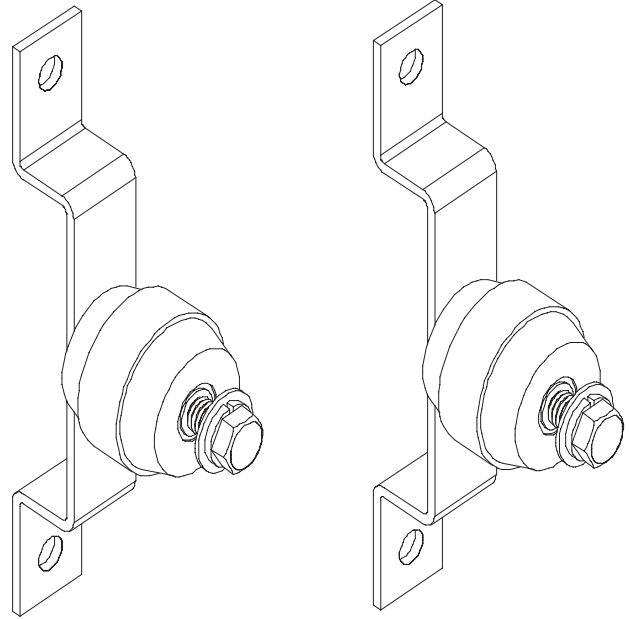


Product Information Sheet

BUSBAR INSULATOR ASSEMBLIES

CPI offers standalone Insulator Assemblies for Busbars.

- Pair of assemblies consists of:
 - 2 stainless steel bolts, 3/8"W x 5/8"L
 - 4 lock washers, 3/8"
 - 4 flat washers, 3/8"
 - 2 stainless steel bolts, 3/8"W x 3/4"L
 - 2 insulators, 3/8"W x 1-1/2"L
 - 2 stainless steel wall brackets, 1"W
- Ships preassembled
- Replaces CPI P/N 13622-000



Part Number	Description	Shipping Weight
10622-000	Busbar Insulator Assemblies, 1 Pair	2 lb

800-834-4969 in U.S. & Canada • www.chatsworth.com



CHATSWORTH PRODUCTS, INC.

©2003 Chatsworth Products, Inc. All rights reserved. CPI is a registered trademark of Chatsworth Products, Inc. All other trademarks belong to their respective companies. 06/03