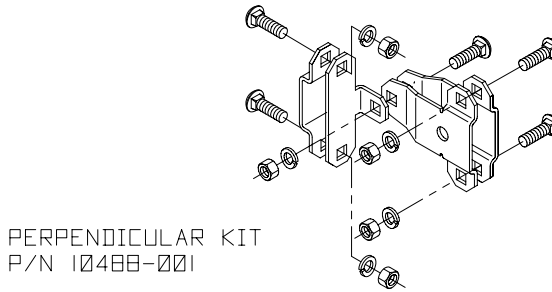
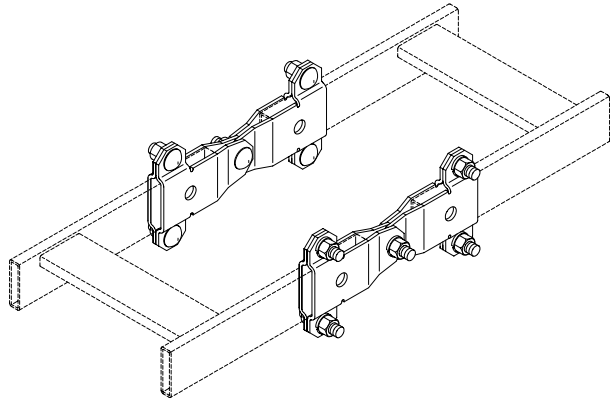
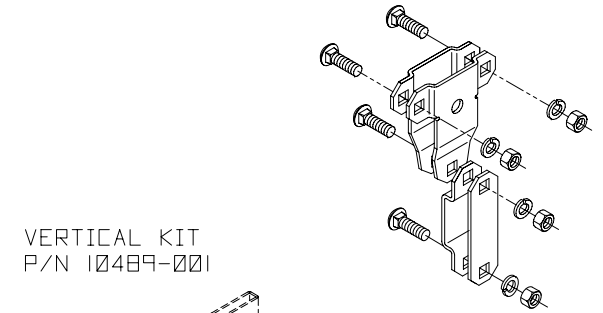
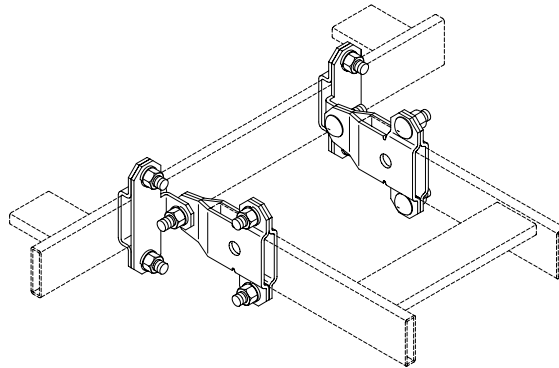


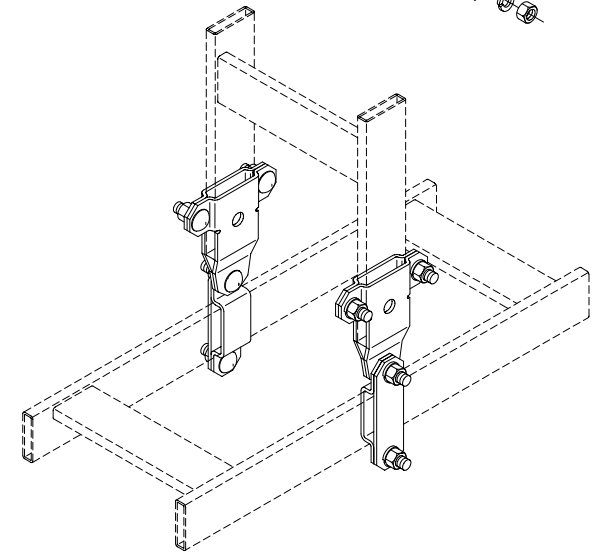
STRAIGHT KIT
P/N 10487-001



PERPENDICULAR KIT
P/N 10488-001



VERTICAL KIT
P/N 10489-001



CHATSWORTH PRODUCTS, INC. RUNWAY SPLICE KITS ARE USED TO CONNECT SECTIONS OF CABLE RUNWAY. THE RUNWAY MUST BE MADE OF STANDARD 1-1/2" BY 3/8" RAILS.

THERE ARE THREE TYPES OF SPLICE KITS, EACH CONNECTS RUNWAY SECTIONS IN A DIFFERENT MANNER.

EACH TYPE OF KIT IS SHOWN ABOVE. TOOLS REQUIRED: A 1/2" (OR ADJUSTABLE) WRENCH..



UNIVERSAL SPLICE KITS
INSTALLATION INSTR.
10487, 10488, 10489

THIS DRAWING CONTAINS INFORMATION PROPRIETARY TO CHATSWORTH PRODUCTS, INC. ANY REPRODUCTION, DISCLOSURE OR USE OF THIS DRAWING IS EXPRESSLY FORBIDDEN EXCEPT AS AGREED TO IN WRITING BY CHATSWORTH PRODUCTS, INC.