

Air Dam Assembly

Tools required:

7/16" Socket Wrench
Phillips screwdriver

Installation Notes:

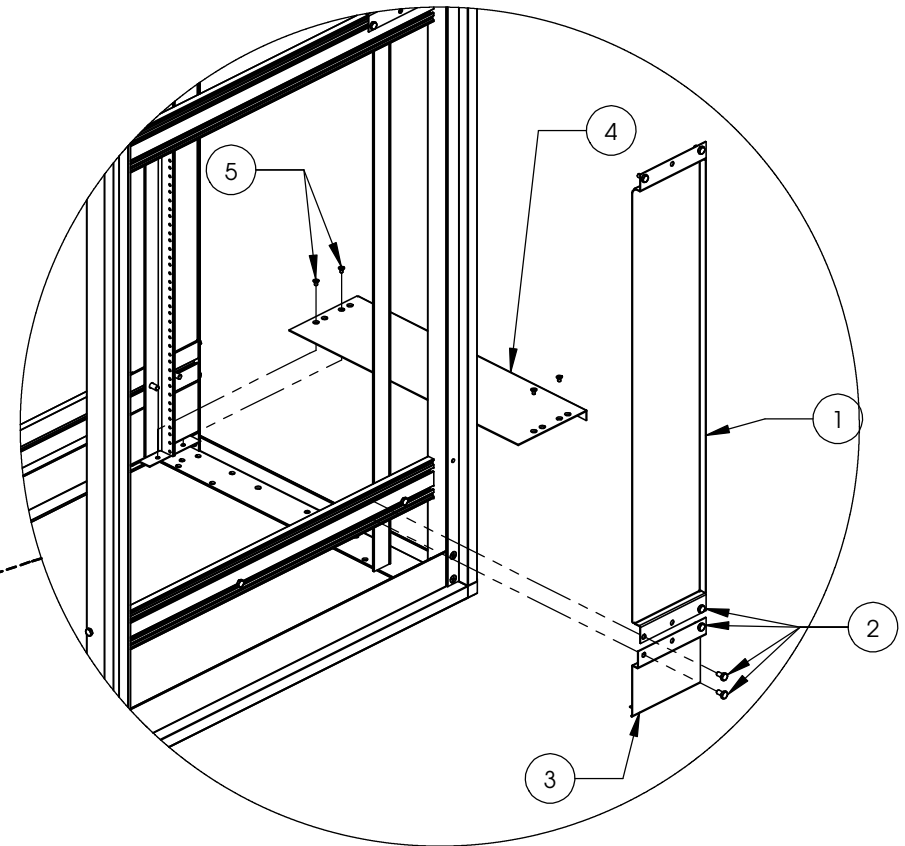
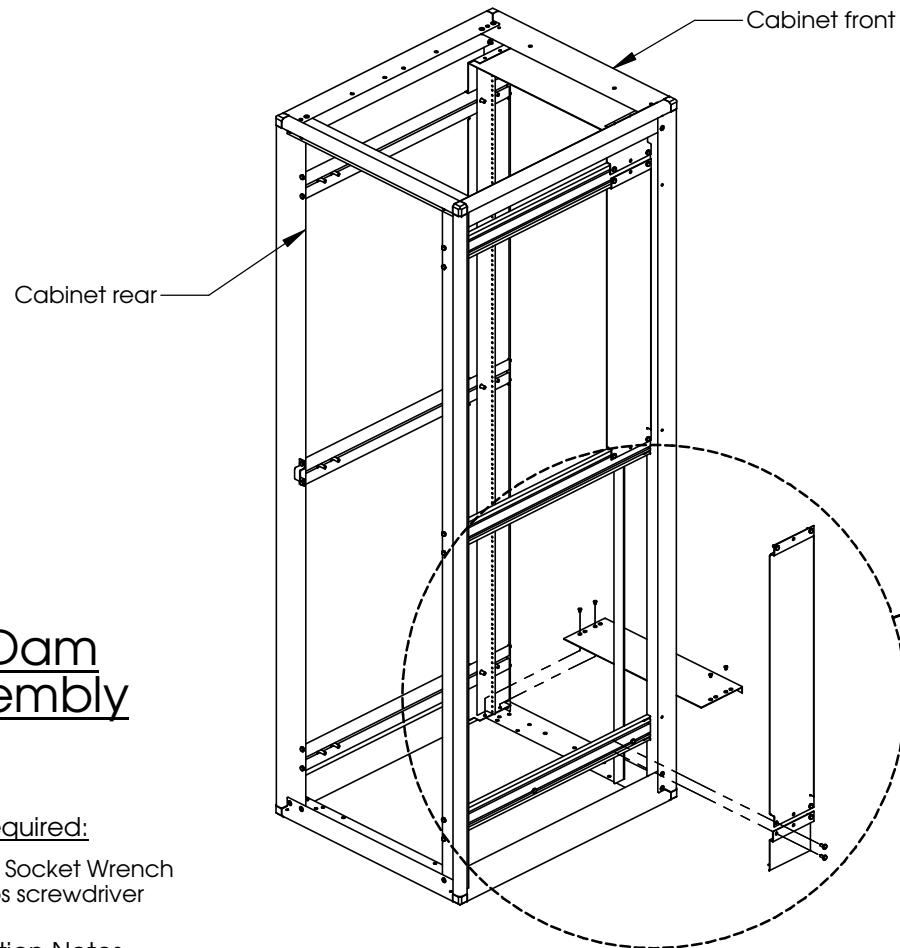
This product must be used with "Easy to Remove" (locking) side panels, which must be removed before installation.

It is easiest to install air dam with cabinet mounting rails removed, but it is possible to install with rails installed if top and bottom equipment is removed, or if upper and lower air dam components are pre-assembled and pushed into place from rear of cabinet. Once assembled, rails may be positioned anywhere in the first 6" of adjustment range.

All Rack Mount Units (RMU's) in cabinet must be filled with equipment or filler panels.

Assembly Sequence:

1. Assemble each large side baffle (item 1) to cabinet slide using four 1/4-20 X 3/8" capscrews (item 2) per baffle as shown. (Note: for SlimFrame cabinets, reverse the orientation of baffle so flanged side is away from cabinet front). Baffle should be flush with inside front of cabinet.
2. Assemble each small side baffle (item 3) to cabinet slide with four screws as shown.
3. Assemble upper and lower baffles (item 4) using four # 10-32 flat head screws (item 5) per baffle as shown. Baffle should be pushed against inside front of cabinet. For MegaFrame, use four holes indicated. For SteelFrame, use other four holes. For SlimFrame, reverse orientation of baffle so flange side is away from front of cabinet.



CPI CHATSWORTH PRODUCTS, INC.

800-834-4969 techsupport@chatsworth.com www.chatsworth.com

Air Dam and Air Diverter Kits Installation Instructions

THIS DRAWING CONTAINS INFORMATION PROPRIETARY TO CHATSWORTH PRODUCTS, INC. ANY REPRODUCTION DISCLOSURE OR USE OF THIS DRAWING IS EXPRESSLY FORBIDDEN EXCEPT AS AGREED TO IN WRITING BY CHATSWORTH PRODUCTS, INC.

Air Diverter Assembly

Installation Notes:

Diverter kit allows positioning of rails anywhere in the first 6" of cabinet.

Assembly Sequence:

1. Install the large side baffles (see items 1 and 2 on sheet 1).
2. Install the small side baffles at the top of the cabinet (see items 2 and 3 on sheet 1).
3. Install the upper baffle (same as lower baffle items 4 and 5 on sheet 1).
4. Install lower side diverters (item 6) using $\frac{1}{4}$ -20 x $\frac{3}{8}$ " cap-screws (item 7).
Be sure that part is pushed forward as far as it will go.
For SteelFrame kit (13339) be sure notched ends are oriented to front of cabinet.
5. Attach air diverter (item 8) to cabinet rail at 2nd RMU position using appropriate mounting hardware for rail (not provided)
6. Place foam gasket material between lower edge of diverter and floor to contain floor tile air within diverter.

