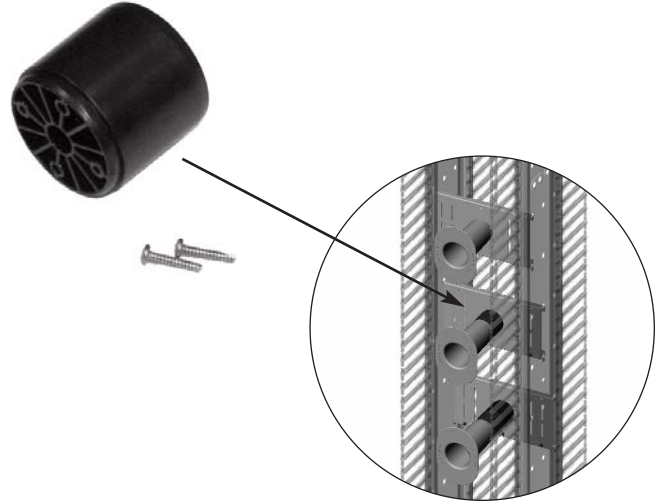


# Product Information Sheet

## Cable Distribution Spacer for Evolution™ Cable Manager

The Cable Distribution Spool Spacer Kit is used with the Cable Distribution Spool to offset the spool so that the front edge of the spool is close to the front edge of cable management fingers in the Evolution g2 Double-Sided Cable Managers.

- Use in 10"W (250 mm), 12"W (300 mm) and 15"W (380 mm) vertical cable managers; each manager includes three spools and three spacers
- Attaches to the Movable Mid-Sections inside double-sided Evolution g2 Vertical Cable Managers
- Use one Cable Distribution Spool Spacer with each Cable Distribution Spool when the Movable Mid-Sections in the cable manager are set for a 50/50 front/rear split
- Use two Cable Distribution Spool Spacers with each Cable Distribution Spool when the Movable Mid-Sections in the cable manager are set for a 60/40 front/rear split; stack both of the Cable Distribution Spool Spacers on the 60% side
- Spacers are 2.8" (71 mm) in diameter x 2.5"H (64 mm) and made from black ABS plastic
- Each kit includes eight spacers and mounting hardware



Part Number	Description	Shipping Weight
35505-001	Cable Distribution Spool Spacer Kit	1 lb (0.5 kg)

*Color is Black.*

800-834-4969 in U.S. & Canada • [www.chatsworth.com](http://www.chatsworth.com)



CHATSWORTH PRODUCTS, INC.

©2008 Chatsworth Products, Inc. All rights reserved. CPI, CPI Passive Cooling, Saf-T-Grip, Seismic Frame, SlimFrame and MegaFrame are federally registered trademarks of Chatsworth Products, Inc. Cube-IT Plus, Evolution, Simply Efficient, TeraFrame and QuadraRack are trademarks of Chatsworth Products, Inc. All other trademarks belong to their respective companies. 09/08