

Installation Instructions

CABLE LASHING BAR KIT

Tools Required

#3 Phillips screwdriver

Intended Use

The Cable Lashing Bar Kit provides tie points for cables inside Evolution™ Vertical Cable Managers.

Included Hardware

- Qty 10 ea – Pan Head Taptite Screws, 10-32 x 1/2"
- Qty 4 ea – Lashing Bar

10-32 x 1/2" Taptite Screw

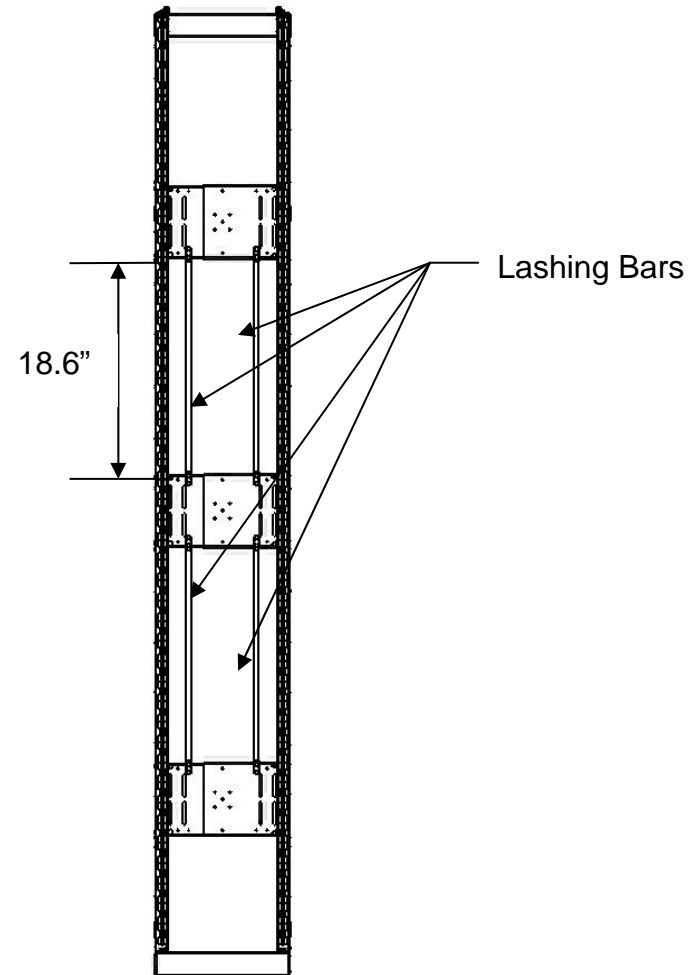


Lashing Bar



Verify Mid-Section Locations

In order for the Lashing Bar to mount to the Accessory Panel on the Single Sided Evolution g1 or the Moveable Mid-Section on the Double Sided Evolution g2, the distance between the panels must be 18.6 inches.



CHATSWORTH PRODUCTS, INC.

IIS-735473, 02/29/08, Rev. 1, CPI/J Garza

800-834-4969 • techsupport@chatsworth.com • www.chatsworth.com

This drawing contains proprietary and confidential information and is protected by U.S. and international law. Unauthorized reproduction, disclosure or use of the drawing or the information therein is expressly forbidden except as agreed to in writing by Chatsworth Products, Inc.

Installation Instructions

CABLE LASHING BAR KIT

Assembly Sequence

NOTE: For easier installation, attach Lashing Bar Kit before installing optional Cable Spool Kit provided with Vertical Cable Manager.

1. Cable Lashing Bar Kits ship with all necessary hardware included.
2. Locate the included hardware to verify contents.
3. The Lashing Bars attach to the Fixed Accessory Panels on the back of single-sided vertical managers and the Movable Mid-Sections inside double-sided vertical cable managers.
4. The Lashing Bars can attach to any of the mounting holes in the mid-sections of the vertical cable managers.
5. Mount a single Lashing Bar using two 10-32 x ½" screws as shown in Figures 1 and 2.

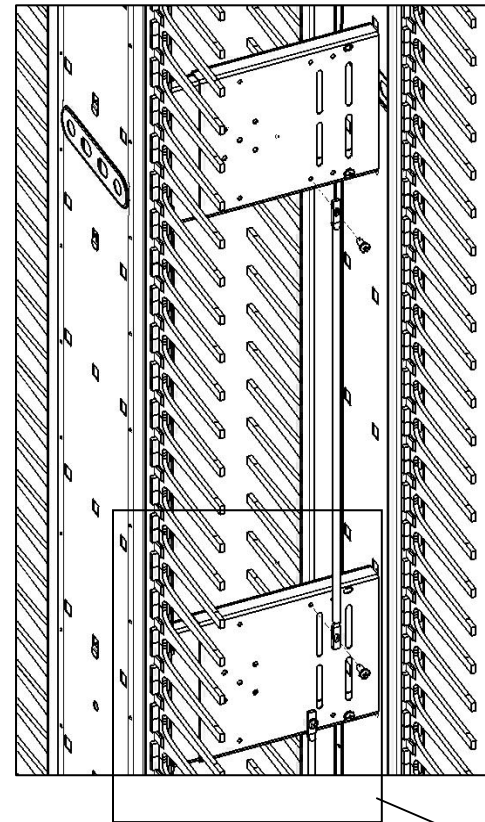


FIGURE 1

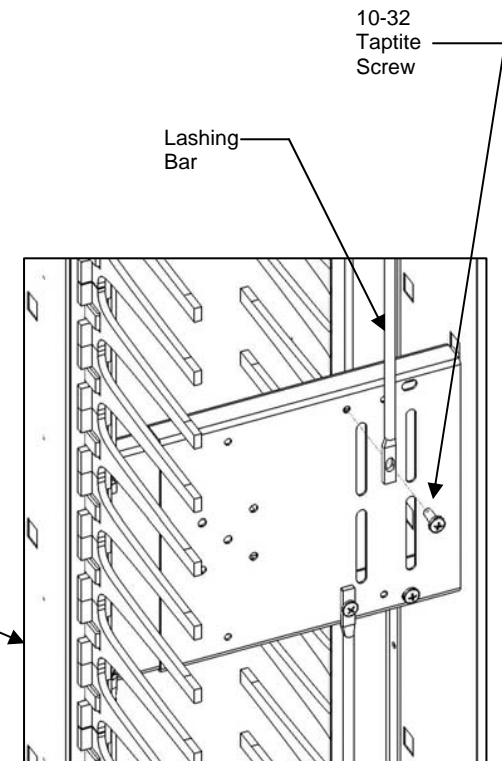


FIGURE 2