

# Installation Instructions

## TERAFRAME LASHING PANEL

### Tools Required

13mm socket wrench

### Parts List

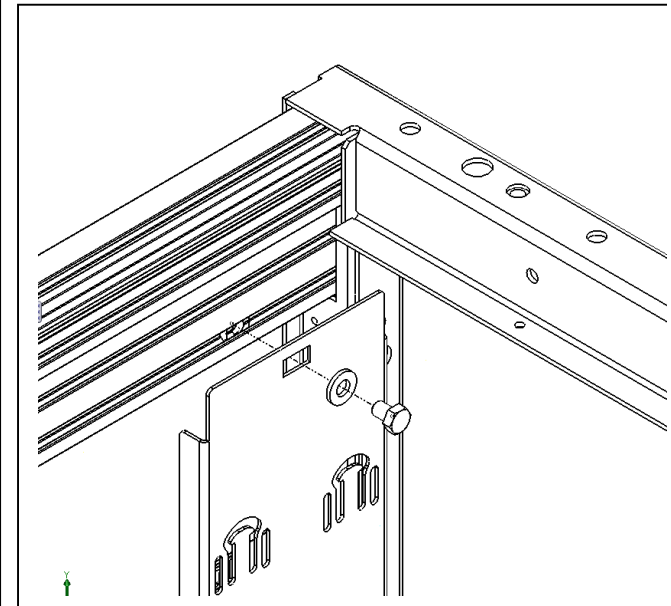
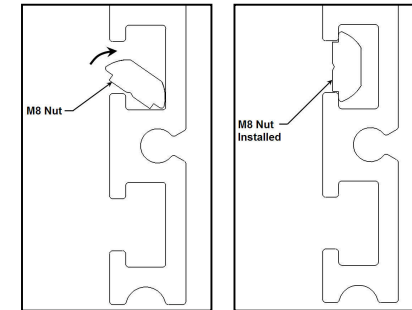
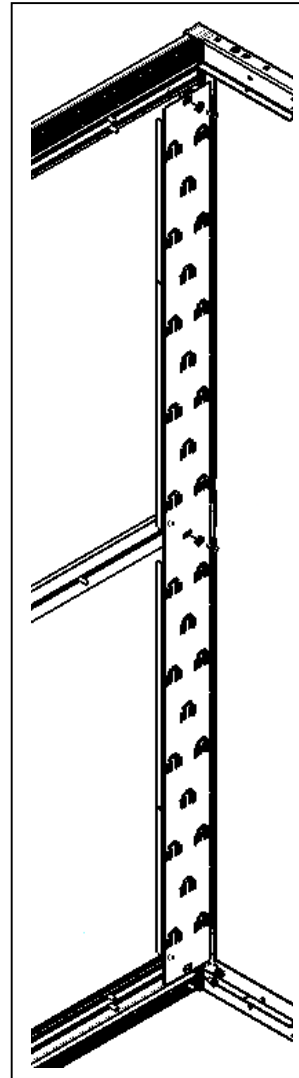
- (1) Lashing panel
- (3) M8X12 bolts, flat washers, and drop-in nuts

### Installation Notes

- N/A

### Assembly Sequence

1. Position the Lashing panel at the desired location.
2. Insert M8 drop-in nuts in the slides as shown. Attach the bracket to the top, middle, and bottom of the frame with 3 M8X12 bolts, flat washers and drop in nuts.



CHATSWORTH PRODUCTS, INC.

IIS-716273-001, 03/05/10, Rev 1, CPI/J. DAVIS

800-834-4969 (USA & Canada) • [www.chatsworth.com](http://www.chatsworth.com) • [techsupport@chatsworth.com](mailto:techsupport@chatsworth.com)

For international phone numbers, see our website or contact CPI Tech Support.

*This drawing contains proprietary and confidential information and is protected by U.S. and international law. Unauthorized reproduction, disclosure or use of the drawing or the information therein is expressly forbidden except as agreed to in writing Chatsworth Products, Inc.*