

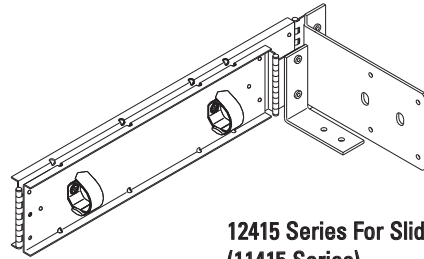
Product Information Sheet

CABLE MANAGEMENT ARM KIT

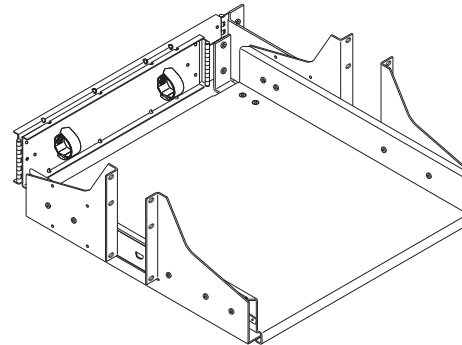
Now you can manage the cables of electronic equipment installed on the CPI Sliding Equipment Shelf and the CPI Extra-Extended Sliding Equipment Shelf. No more tangles, twists or damage from cuts, kinks, etc. during shelf extension or retraction and the proper cable bend radius is maintained. Cables for the electronic equipment installed on the shelf are attached to the arm by 4 Saf-T-Grip[®] Cable Management Straps (3/4" x 4", black) to keep the cable neat and organized.

- The Cable Management Arm extends and retracts to keep the cables organized, untangled, and attached to the arm
- Made of cold-rolled steel
- Finish is clear over zinc plating
- Keeps cables organized, untangled and attached to the arm
- Can be mounted on the left- or right-hand side of the shelf
- When using the Cable Management Arm, the maximum equipment depth is:
 - 16" for 11415 Series Shelf
 - 22" for 12227 Series Shelf

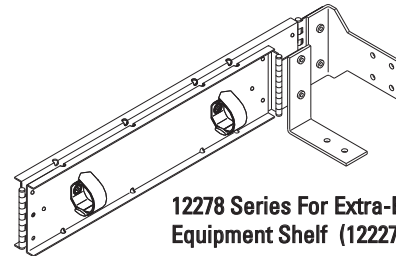
Part Number	Description/Color	Shipping Weight
12415-501	For Sliding Equipment shelf, 11415 Series, Clear	3 lb
12278-501	For Extra-Extended Sliding Equipment Shelf, 12227 Series, Clear	3 lb



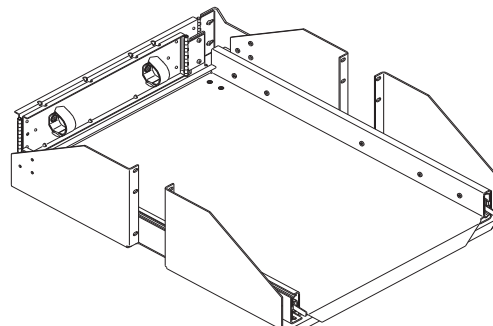
12415 Series For Sliding Equipment Shelf (11415 Series)



Cable Management Arm shown installed on Sliding Equipment Shelf (11415 Series)



12278 Series For Extra-Extended Sliding Equipment Shelf (12227 Series)



Cable Management Arm shown installed on Extra-Extended Sliding Equipment Shelf (12227 Series)

800-834-4969 in U.S. & Canada • www.chatsworth.com



CHATSWORTH PRODUCTS, INC.

©2009 Chatsworth Products, Inc. All rights reserved. CPI, CPI Passive Cooling, Saf-T-Grip, Seismic Frame, SlimFrame and MegaFrame are federally registered trademarks of Chatsworth Products, Inc. Cube-iT Plus, Evolution, OnTrac, QuadraRack, Simply Efficient and TeraFrame are trademarks of Chatsworth Products, Inc. All other trademarks belong to their respective companies. 05/09