

# Product Cut Sheet

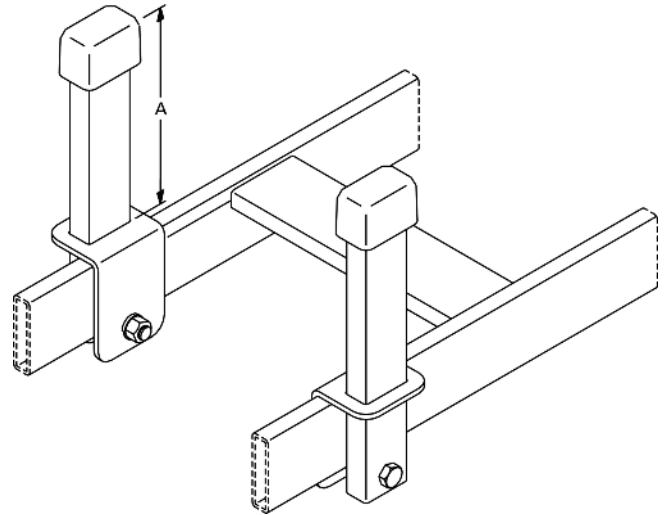
## CABLE RETAINING POST

Provides extra cable depth to existing 1-1/2" (38 mm) cable runway installation. Mounts onto Cable Runway side stringers.

- Post is 1/2" x 1" x .065" (12.7 mm x 25.4 mm x 1.7 mm) wall rectangular steel tubing; bracket is 1046 steel

**Kit consists of:**

- (1) Post, bracket, and end cap
- (1) 1/4-20 x 1-1/4" hex cap screw, split lock washer and hex nut



Post and bracket are gold over zinc plating or painted gray, black or white. White kits include gold color hardware, Gray and black kits include black color hardware. End cap is black.

Part Number	Height "A" in (mm)	Shipping Weight lb (kg)
10596-X06	6 (150)	1 (0.5)
10596-X08	8 (200)	1 (0.5)
10596-X10	10 (250)	1 (0.5)
10596-X56	6 (150), Pack of 50	29 (13.2)
10596-X58	8 (200), Pack of 50	33 (15.0)
10596-X50	10 (250), Pack of 50	38 (17.2)

*X=*color: 1=Gray, 2=Computer Beige, 7=Black, E=Glacier White. Kits have gold colored hardware. Gray (-1) and Black (-7) kits have black colored hardware. End caps are black.

800-834-4969 in U.S. & Canada • [www.chatsworth.com](http://www.chatsworth.com)



CHATSWORTH PRODUCTS

©2013 Chatsworth Products, Inc. All rights reserved. CPI, CPI Passive Cooling, GlobalFrame, MegaFrame, Saf-T-Grip, Seismic Frame, SlimFrame, TeraFrame, Cube-IT Plus, Evolution, OnTrac, Velocity and QuadraRack are federally registered trademarks of Chatsworth Products. eConnect and Simply Efficient are trademarks of Chatsworth Products. All other trademarks belong to their respective companies. 6/13