

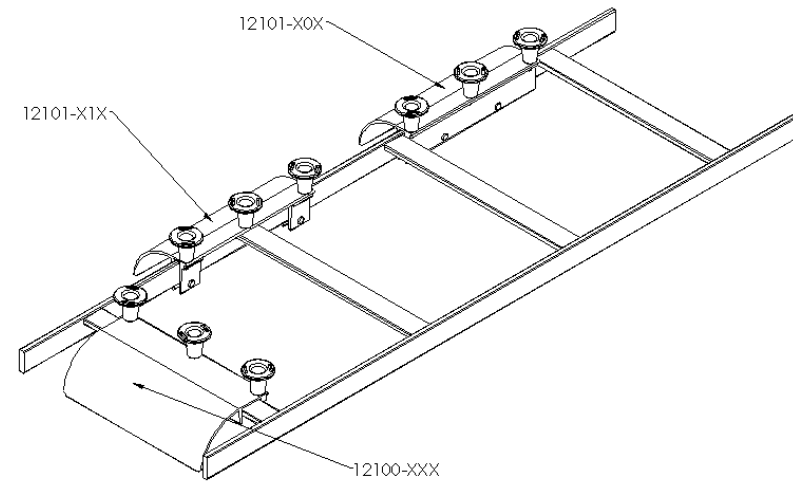
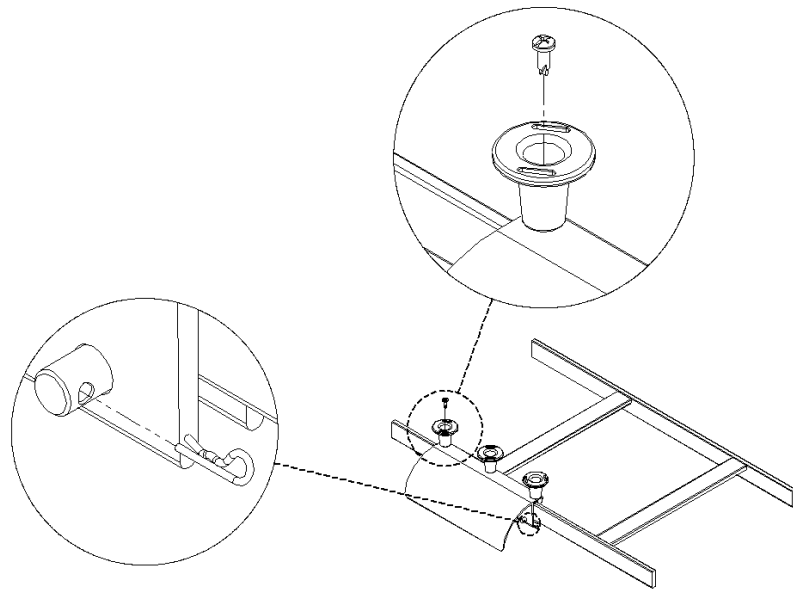
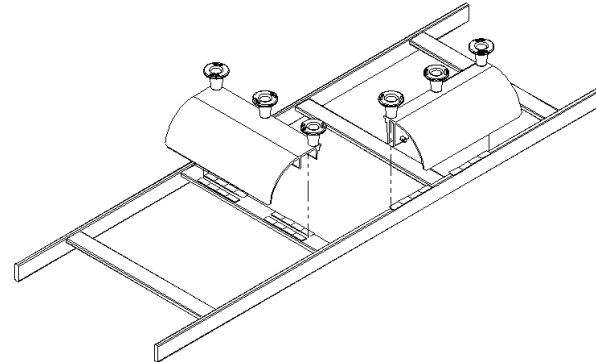
# Installation Instructions

## RUNWAY RADIUS DROP

**Tools Required**  
Phillips Head Screwdriver

**Included Hardware**

- Cable distribution posts
- 12-24 Screws
- Clevis Pins
- Cotter Pins
- Rubber Strips



**CHATSWORTH PRODUCTS, INC.**

IIS-712100, 7/20/2015, Rev. 3, CPI/M Richardson  
800-834-4969 (USA & Canada) • [www.chatsworth.com](http://www.chatsworth.com) •  
[techsupport@chatsworth.com](mailto:techsupport@chatsworth.com)  
For international phone numbers, see our website or contact CPI Tech Support.

*This drawing contains proprietary and confidential information and is protected by U.S. and international law. Unauthorized reproduction, disclosure or use of the drawing or the information therein is expressly forbidden except as agreed to in writing by Chatsworth Products, Inc.*