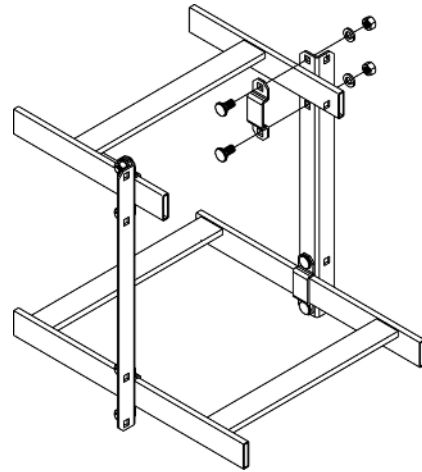


# Product Cut Sheet

## CABLE RUNWAY STANDOFF SUPPORT KIT

Allows the attachment of cable runway 12" (300 mm) directly above and either parallel or perpendicular to existing Cable Runway. Each kit consists of the following items: two steel angle pieces, four steel brackets and eight sets of nuts, bolts and washers. The angle pieces are available in gray, beige, black or gold finish.



Part Number	Description	Shipping Weight lb (kg)
31470-X12	Standoff Support Kit	1 (0.5)

*Note: Gold (-012), Computer Beige (-212) and Glacier White (-E12) kits include gold colored hardware. Gray (-112) and Black (-712) kits include black colored hardware.*

800-834-4969 in U.S. & Canada • [www.chatsworth.com](http://www.chatsworth.com)



CHATSWORTH PRODUCTS

©2013 Chatsworth Products, Inc. All rights reserved. CPI, CPI Passive Cooling, GlobalFrame, MegaFrame, Saf-T-Grip, Seismic Frame, SlimFrame, TeraFrame, Cube-IT Plus, Evolution, OnTrac, Velocity and QuadraRack are federally registered trademarks of Chatsworth Products. eConnect and Simply Efficient are trademarks of Chatsworth Products. All other trademarks belong to their respective companies. 6/13