

# Installation Instructions

## VELOCITY CABLE SPOOL KIT

### Tools Required

#2 Phillips screwdriver

### Parts List

4 each Velocity Cable Spools  
8 each 10-32 X 1/2" Screws

### Application

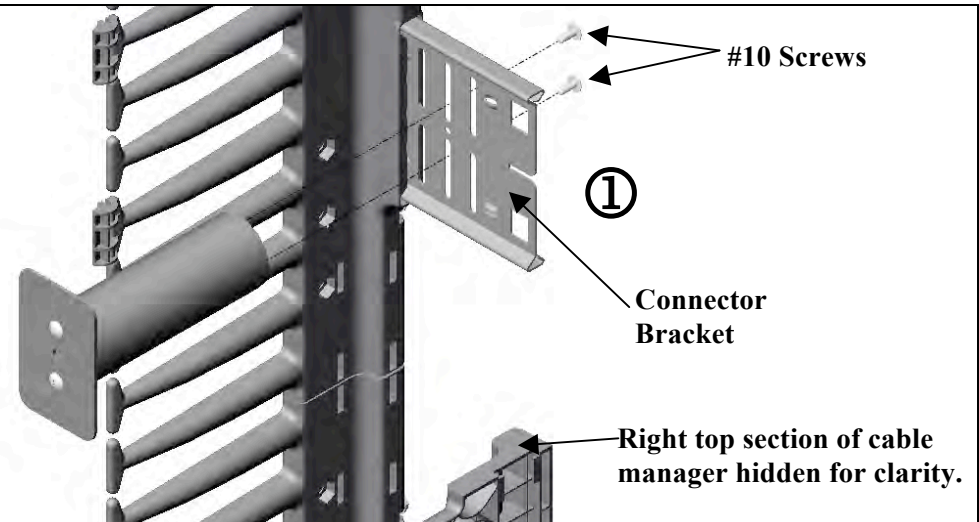
Cable spools organize, support and manage service loops and cable slack within the manager.

### Installation Notes

- Installation requires two mounting screws per cable spool.
- Spools may be installed on 6" and wider Velocity Vertical Cable Managers.
- Tighten screws tight enough to hold the cable spool firmly in place, but do not over tighten as this may damage the spool.

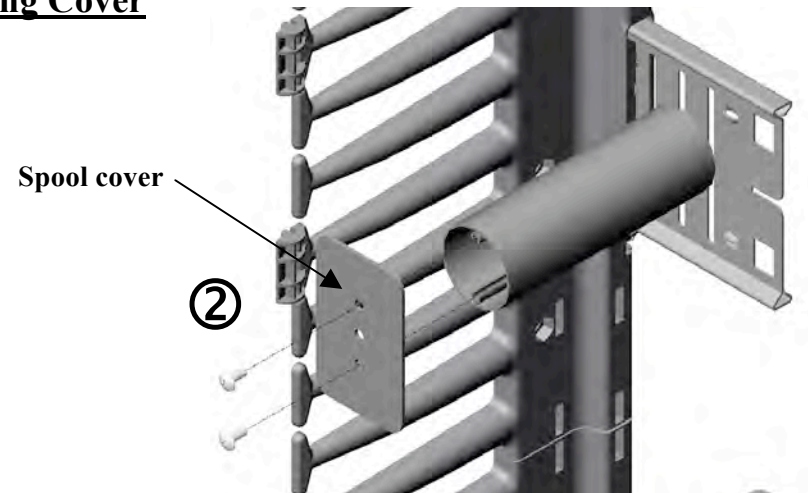
### Assembly Sequence

1. Locate a preferred set of mounting slots on the Velocity connector brackets.
2. Attach Spool to the cabling section using two provided 10-32 mounting screws. You may want to detach the spool cover before installing copper and fiber cables for easier access.



### Mounting Spool

### Removing Cover



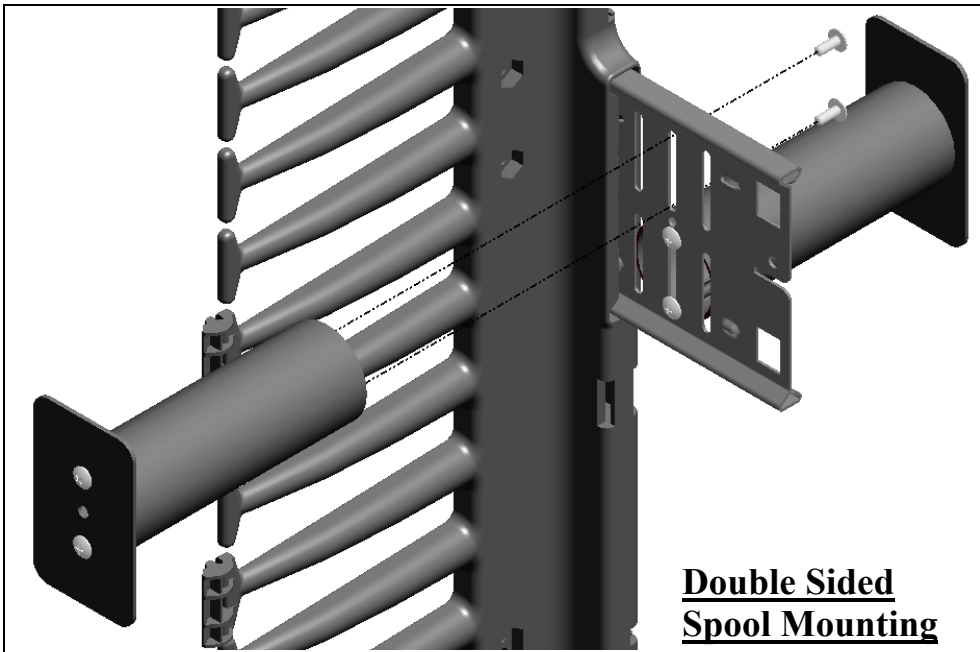
CHATSWORTH PRODUCTS, INC.

IIS-713935, 03/09/10, Rev.1 , JJY  
800-834-4969 • techsupport@chatsworth.com • www.chatsworth.com

*This drawing contains proprietary and confidential information and is protected by U.S. and international law. Unauthorized reproduction, disclosure or use of the drawing or the information therein is expressly forbidden except as agreed to in writing by Chatsworth Products, Inc.*

# Installation Instructions

## VELOCITY CABLE SPOOL KIT

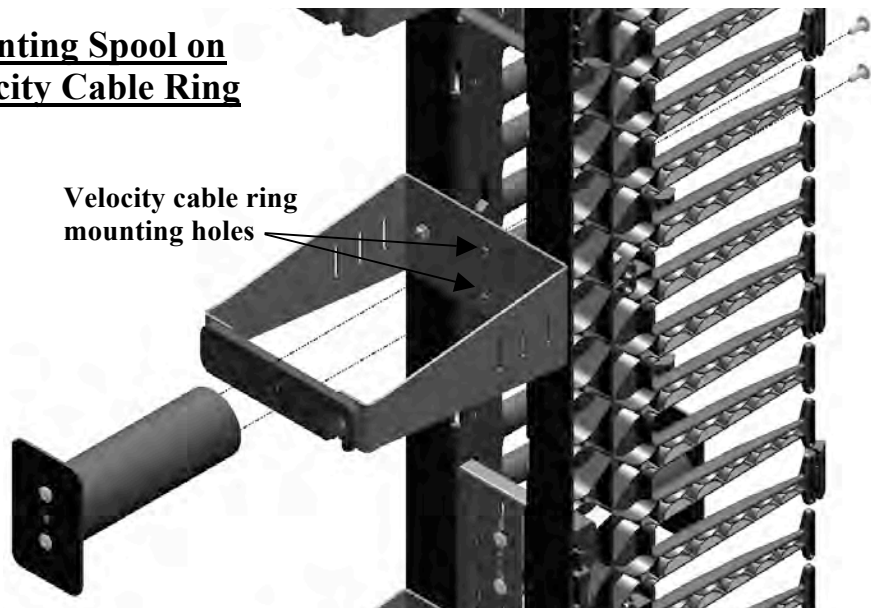


**Double Sided  
Spool Mounting**

### Alternative Applications

- For double sided mounting of spools, stagger the spools by mounting one spool on the top slot of the connector bracket and the other spool opposed and mounted on the bottom slot of the connector bracket.
- To mount the cable spool on a Velocity cable ring (P/N 13934-XXX), locate the two mounting holes in the center of the cable ring base and attach the spool using two provided 10-32 mounting screws.

### **Mounting Spool on Velocity Cable Ring**



Velocity cable ring  
mounting holes