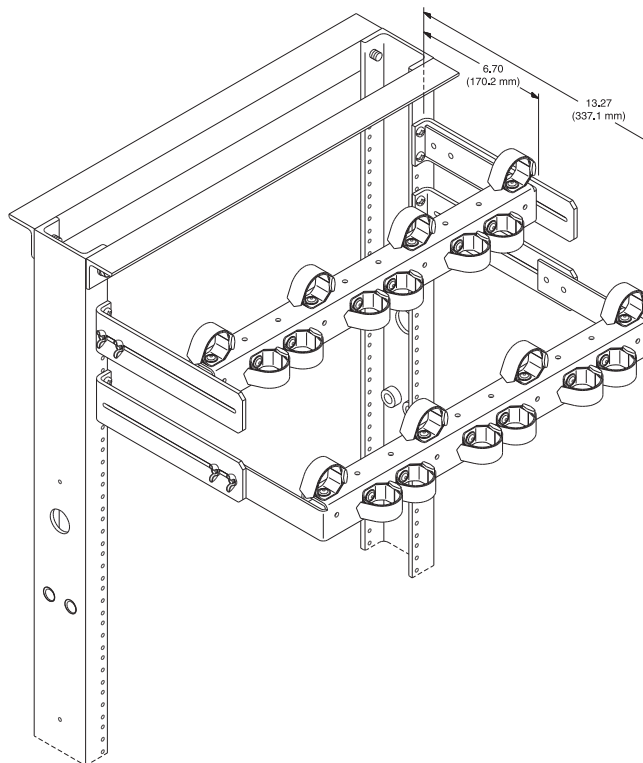


Product Cut Sheet

CABLE STRAIN RELIEF BRACKET

Have you ever pulled cables out of rack-mounted equipment “accidentally”? Do you need to maintain a minimum bend radius for your cabling? Our rack-mounted cable strain relief may just be the answer. Made of high-strength aluminum, it includes ten flexible Saf-T-Grip® cable management straps. This bracket can be mounted at desired height and depth to position straps right where you need them. Reusable rivets allow Saf-T-Grips to be added or removed as required. Aluminum construction.



Part Number			Color
19" Rack	23" Rack	25" Rack	
11570-119	11570-123	11570-125	Gray
11570-219	11570-223	11570-225	White
11570-519	11570-523	11570-525	Clear
11570-719	11570-723	11570-725	Black

800-834-4969 in U.S. & Canada • www.chatsworth.com



CHATSWORTH PRODUCTS, INC.

©2010 Chatsworth Products, Inc. All rights reserved. CPI, CPI Passive Cooling, MegaFrame, Saf-T-Grip, Seismic Frame, SlimFrame, TeraFrame, Cube-IT Plus, Evolution, OnTrac, and QuadraRack are federally registered trademarks of Chatsworth Products, Inc. GlobalFrame, Simply Efficient and Velocity are trademarks of Chatsworth Products, Inc. All other trademarks belong to their respective companies. 12/10