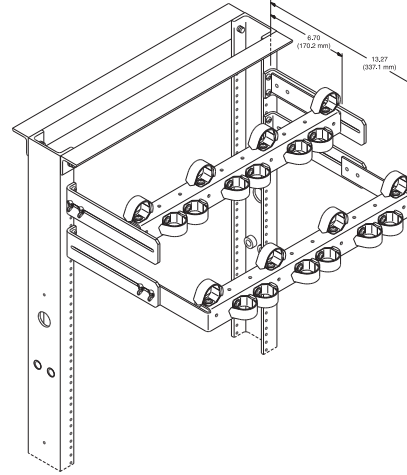


# Product Cut Sheet

## CABLE STRAIN RELIEF BRACKET

Have you ever pulled cables out of rack-mounted equipment accidentally? Do you need to maintain a minimum bend radius for your cabling? Our rack-mounted cable strain relief is the answer. Made of high-strength aluminum, it includes ten flexible Saf-T-Grip® Cable Management Straps. This bracket can be mounted at desired height and depth to position straps right where you need them. Reusable rivets allow Saf-T-Grips to be added or removed as required. Aluminum construction.

- Mounting hardware not included



Part Number	Description	Shipping Weight lb (kg)
11570-X19	19" Rack	1 (0.5)
11570-X23	23" Rack	1 (0.5)

X=color: 1=Gray, 2=Computer Beige, 5=Clear, 7=Black, E=Glacier White.

800-834-4969 in U.S. & Canada • [www.chatsworth.com](http://www.chatsworth.com)



CHATSWORTH PRODUCTS

©2013 Chatsworth Products, Inc. All rights reserved. CPI, CPI Passive Cooling, GlobalFrame, MegaFrame, Saf-T-Grip, Seismic Frame, SlimFrame, TeraFrame, Cube-iT Plus, Evolution, OnTrac, Velocity and QuadraRack are federally registered trademarks of Chatsworth Products. eConnect and Simply Efficient are trademarks of Chatsworth Products. All other trademarks belong to their respective companies. 07/13