

WIRELESS ACCESS POINT ENCLOSURES

for Drop Ceilings

KEY FEATURES

- Equipment attaches to the access door. The door faceplate can be changed to match equipment.
- Fits above the drop ceiling within a single 2' x 2' drop ceiling tile. Attaches to ceiling tile support grid with included hardware.
- Use the enclosure in an air-handling space. Cables enter the enclosure through an integrated cable port that includes a foam sealing kit.
- Cable tie points within the enclosure allow easy management of cables.
- The access door is fully hinged and secures with a lock in the closed position.
- Provide power directly to equipment through an integrated electrical junction box on enclosure model AAT-CAP-10-P.

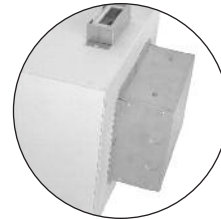
APPLICATIONS

- Create an architectural space above a drop ceiling that secures the network and power connections for a wireless access point in a wireless LAN.
- Store and secure the wireless access point, hiding everything except the antennas from view.

USE WITH

- Saf-T-Grip® Cable Management Straps

Wireless Access Point Enclosure



AAT-CAP-10-P
Integrated junction box



AAT-CAP-UNI
Universal faceplate



AAT-CAP-UNI-KIT
Enclosure with
Universal faceplate

Ceiling-mounted wireless enclosures create an architectural space outside of the telecommunication room to store a wireless access point and the wireless connection to the network. Wireless access points are the radio transceivers used to create a wireless LAN within a commercial building.

Ceiling-mounted wireless enclosures are designed for use above an acoustical drop ceiling even if the space above the drop ceiling is an air-handling space. AAT-CAP wireless enclosures fit within a single 2' x 2' drop ceiling tile. The enclosures are 14-3/4" long by 12" wide, 10" or 5" deep, and include mounting brackets that allow the enclosure to be supported directly from the drop-ceiling tile support grid (t-bars).

Each wireless access point requires a network connection and a power source. Some wireless access points receive power through the Ethernet connection. The AAT-CAP wireless enclosure includes a cable access port with foam sealing kit and is UL Listed for use in air-handling spaces. The AAT-CAP-10-P includes an integrated electrical junction box. AAT-CAP-10-P allows the wireless access point to be powered directly from an electrical outlet when it cannot receive power through the Ethernet connection.

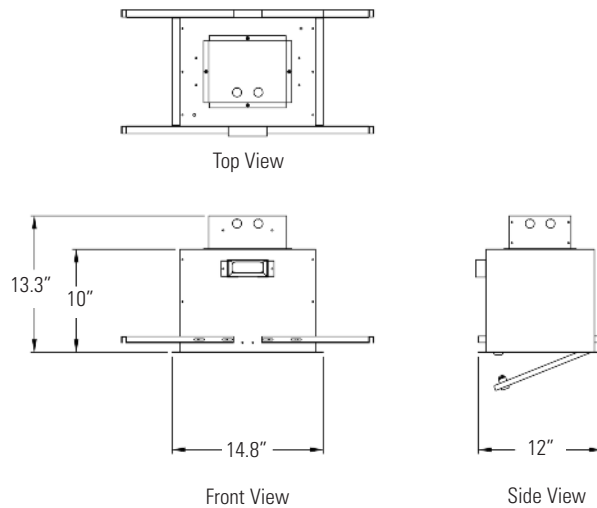
Each wireless access point has one or several antennas. When access points are secured within the wireless enclosure above the drop ceiling, the antennas should project below the drop ceiling to minimize interference with the wireless connection. The AAT-CAP-series wireless enclosure has an interchangeable faceplate. Blank faceplates, faceplates specifically for Cisco® wireless products, and a universal faceplate are available. The wireless access point is supported on the inside of the door. The antennas project through the door into the room below. The door is fully hinged and locks in the closed position.

Order the enclosure as a kit pre-configured with the faceplate or order the faceplates separately. See reverse for product selection. Contact CPI for configuration assistance.

SPECIFICATIONS

- Ceiling enclosure with hinged access door that secures wireless access points
- For indoor use only, in environmentally controlled areas; may be used in plenum spaces; may not be used outdoors, in industrial or harsh environments
- Size:
 - AAT-CAP 14.8"W x 12"L x 10"H
 - AAT-CAP-S 14.8"W x 12"L x 5"H
 - AAT-CAP-10-P 14.8"W x 12"L x 13.3"H
- Usable interior space: Depends on faceplate, see Equipment Support below
- Cable access: (1) 3" x 1" port
Includes foam sealing kit
- Equipment support: Removable door faceplates:
 - Blank (solid, match drill as required)
 - Optimized for Cisco Aironet 1100
 - Optimized for Cisco Aironet 1200*
 - Optimized for Cisco Aironet 1232
 - Optimized for Cisco Aironet 1242
 - For Universal use* with access points up to 10"W x 8"D x 2"H
 - (*) includes adjustable bracket for attaching a wireless access point up to 7.5"W x 3.5"H
- Cable management:
 - 2 cable tie points in the enclosure
 - 2 cable tie points on the door
- Power:
 - Model AAT-CAP-10-P includes an integrated junction box
 - Junction box supports two duplex receptacles (receptacles and cover plate supplied by customer)
 - Junction box is pre-punched with 7/8" knockouts for trade size 1/2" conduit
- Load capacity:
 - 20 pounds of equipment total
 - 10 pounds of equipment on the door, open or closed
- Certifications: UL Listed, all enclosures
- Material: .060" thick aluminum sheet
- Construction: Riveted
- Finish: Mill finish on some components
Flat epoxy white powder coat paint on enclosure

DIMENSIONS



Note: AAT-CAP-10-P is shown. The enclosure is available without the junction box; AAT-CAP is 10" high, and AAT-CAP-S is 5" high.

ORDERING INFORMATION

Wireless Ceiling Enclosures without Faceplates		
Part Number	Description	Shipping Weight
AAT-CAP	14.8"W x 12"L x 10"H	8 lb
AAT-CAP-10-P	14.8"W x 12"L x 13.3 H with Junction Box	9 lb
AAT-CAP-S	14.8"W x 12"L x 5"H	8 lb
Faceplates for Wireless Ceiling Enclosures		
AAT-CAP-00	Blank (Solid) Faceplate	3 lb
AAT-CAP-UNI	Universal Faceplate	3 lb
AAT-CAP-11	For Cisco® Aironet® 1100	3 lb
AAT-CAP-12	For Cisco® Aironet® 1200	3 lb
AAT-CAP-1232	For Cisco® Aironet® 1232	3 lb
AAT-CAP-1242	For Cisco® Aironet® 1242	3 lb
Assembled Kits		
AAT-CAP Enclosure with Faceplate		
AAT-CAP-00-KIT	Blank (Solid) Faceplate	10 lb
AAT-CAP-UNI-KIT	Universal Faceplate	10 lb
AAT-CAP-11-KIT	For Cisco® Aironet® 1100	10 lb
AAT-CAP-12-KIT	For Cisco® Aironet® 1200	10 lb
AAT-CAP-1232-KIT	For Cisco® Aironet® 1232	10 lb
AAT-CAP-1242-KIT	For Cisco® Aironet® 1242	10 lb
AAT-CAP-S Enclosure with Faceplate		
AAT-CAP-S-00-KIT	Blank (Solid) Faceplate	9 lb
AAT-CAP-S-UNI-KIT	Universal Faceplate	9 lb
AAT-CAP-S-12-KIT	For Cisco® Aironet® 1200	9 lb
AAT-CAP-S-1232-KIT	For Cisco® Aironet® 1200	9 lb
AAT-CAP-S-1242-KIT	For Cisco® Aironet® 1200	9 lb

Note: Faceplate AAT-CAP-11 cannot be used with enclosure AAT-CAP-S.

