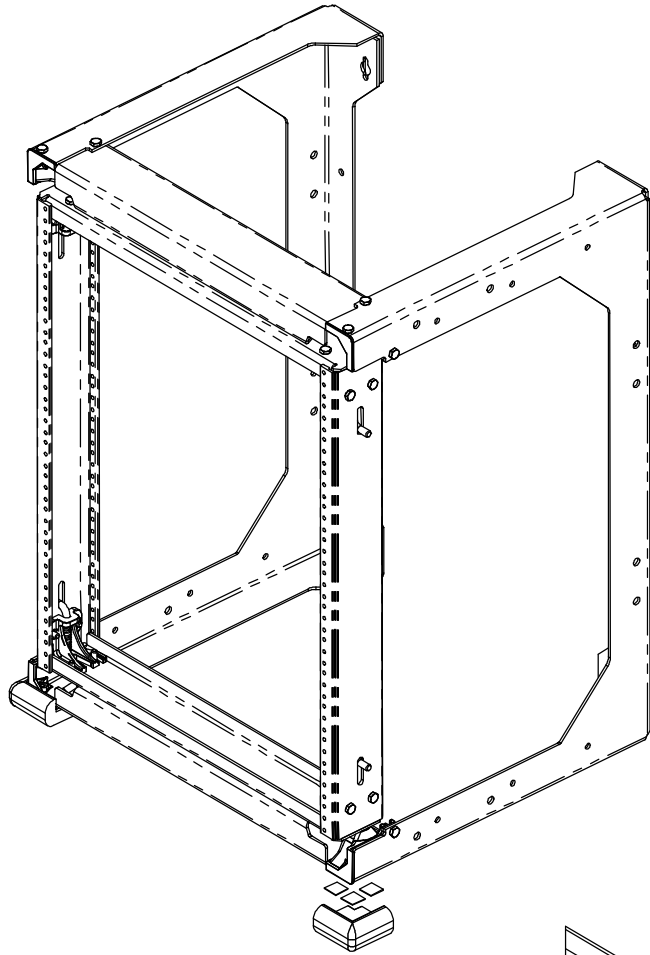


**PART NUMBER** 12858-001



**COMPONENTS**

Item	Quantity	Component Description
A	4	Corner Cushion
B	12	Double-Sided Adhesive Square

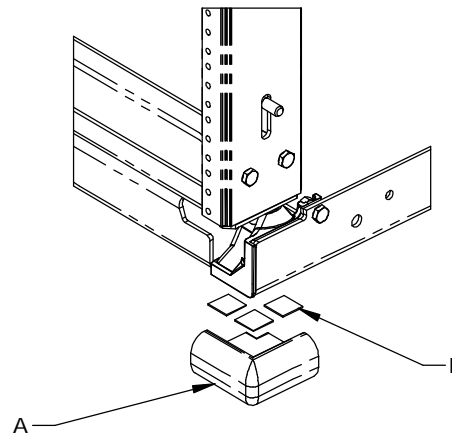
**INSTRUCTIONS**

- Step 1** Prior to application, thoroughly clean surfaces with rubbing alcohol.
- Step 2** After removing one side of backing from three Double-Sided Adhesive Squares, apply Adhesive Squares to inside surface of Corner Cushion as shown. Press firmly in place. Each Corner Cushion requires 3 Adhesive Squares.
- Step 3** Remove remaining backing from each attached Adhesive Square and position Corner Cushion where needed. Press firmly to adhere.

FLAME RETARDANT

NON-TOXIC

FOAM DESIGN CONFORMS TO ASTM STANDARDS FOR SAFETY SURFACING MATERIAL



**CPI** CHATSWORTH PRODUCTS, INC.

INSTALLATION INSTRUCTIONS  
CORNER  
CUSHION SET

THIS DRAWING CONTAINS INFORMATION PROPRIETARY TO CHATSWORTH PRODUCTS, INC. ANY REPRODUCTION DISCLOSURE OR USE OF THIS DRAWING IS EXPRESSLY FORBIDDEN EXCEPT AS AGREED TO IN WRITING BY CHATSWORTH PRODUCTS, INC.