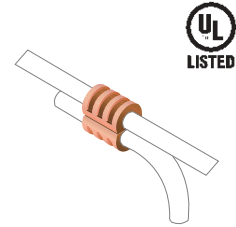
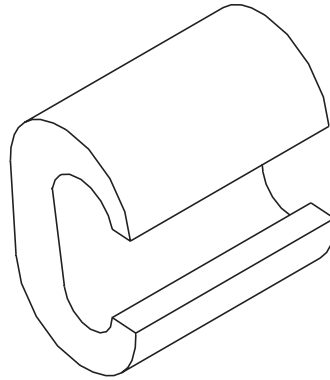


Product Information Sheet

C-TYPE COMPRESSION TAPS

C-Type Compression Taps connect two copper conductors with the use of a hydraulic crimping tool.

- Available individually or in bulk packages
- Other configurations available on request
- UL Listed



Shown Connecting Two Copper Conductors

Part Number	Description	Run	Tap	Unit	Shipping Weight
40163-004	C Taps	#2 Stranded #2 Solid	#2 Stranded #2 Solid	1	.1 lb
40163-054	C Taps	#2 Stranded #2 Solid	#2 Stranded #2 Solid	50	4 lb
40163-003	C Taps	#2 Stranded #2 Solid	#4 Stranded #8 Solid	1	.1 lb
40163-053	C Taps	#2 Stranded #2 Solid	#4 Stranded #8 Solid	50	6 lb
40163-002	C Taps	#4 Stranded #4 Solid	#4 Stranded #6 Solid	1	.1 lb
40163-052	C Taps	#4 Stranded #4 Solid	#4 Stranded #6 Solid	50	2.5 lb
40163-001	C Taps	#4 Stranded #6 Solid	#6 Stranded #6 Solid	1	.1 lb
40163-051	C Taps	#4 Stranded #6 Solid	#6 Stranded #6 Solid	50	2.5 lb
40163-005	C Taps	2/0 Stranded 1/0 Solid	#2 Stranded #8 Solid	1	.2 lb
40163-055	C Taps	2/0 Stranded 1/0 Solid	#2 Stranded #8 Solid	10	1 lb
40163-007	C Taps	2/0 Stranded 1/0 Solid	2/0 Stranded 1/0 Solid	1	.2 lb
40163-057	C Taps	2/0 Stranded 1/0 Solid	2/0 Stranded 1/0 Solid	10	1 lb
40163-006	C Taps	4/0 Stranded 3/0 Solid	#2 Stranded #6 Solid	1	.2 lb
40163-056	C Taps	4/0 Stranded 3/0 Solid	#2 Stranded #6 Solid	10	1 lb
40163-008	C Taps	4/0 Stranded 3/0 Solid	2/0 Stranded 1/0 Solid	1	.3 lb
40163-058	C Taps	4/0 Stranded 3/0 Solid	2/0 Stranded 1/0 Solid	10	2 lb
40163-009	C Taps	4/0 Stranded 3/0 Solid	4/0 Stranded 3/0 Solid	1	.3 lb
40163-059	C Taps	4/0 Stranded 3/0 Solid	4/0 Stranded 3/0 Solid	10	2 lb

800-834-4969 in U.S. & Canada • www.chatsworth.com



CHATSWORTH PRODUCTS, INC.

©2003 Chatsworth Products, Inc. All rights reserved. CPI is a registered trademark of Chatsworth Products, Inc. All other trademarks belong to their respective companies. 06/03