

INTENDED USE

The cabinet is intended to be mounted to a wall with the total load supported by the floor through the casters mounted on the bottom of the cabinet.

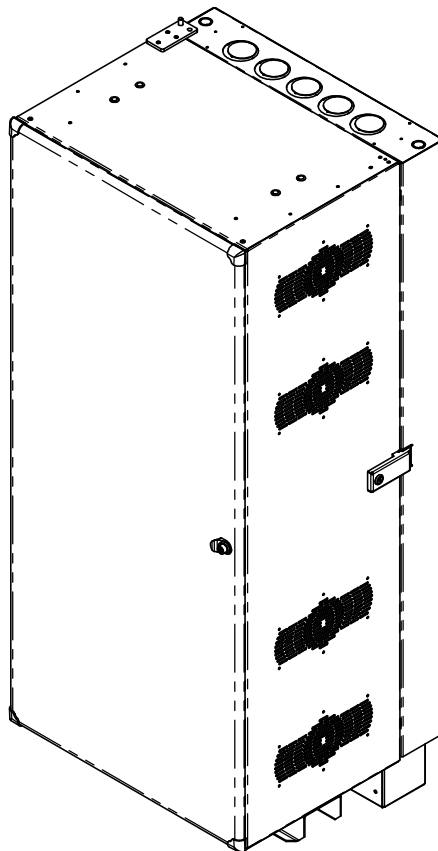
The cabinet is intended for indoor use in environmentally controlled environments to secure communications equipment. Do not use the cabinet in the plenum space, outdoors, or in a harsh environment.

SAFETY GUIDELINES:

1. Due to the weight and size of the cabinet it is recommended that the installation be done with two people.
2. The weight of the cabinet and equipment mounted within is intended to be fully supported by the wheel assembly. Do not remove the wheel assembly or allow the cabinet to be supported by the wall only. Follow the installation instructions exactly as described to ensure that the cabinet is properly supported by the wheel assembly.
3. The cabinet body must remain attached to the rear panel at all times.
Do not remove the rear panel from the cabinet when mounting it to the wall.
4. These installation instructions and included hardware are intended for mounting the cabinet to a wood studded wall covered with 3/4" plywood. For masonry surface, the installer must provide appropriate hardware.
5. Do not install equipment in cabinet until after the cabinet has been mounted to wall.

TOOLS REQUIRED

#2 Phillips screwdriver
3/8" Wrench
7/16" Wrench
1/2" Wrench



PARTS INCLUDED

1/4-10 X 2 Lag screw
Qty 8



5/16-18 Flange nut
Qty 4



10-32 X 1/2" Pan head screw
Qty 8



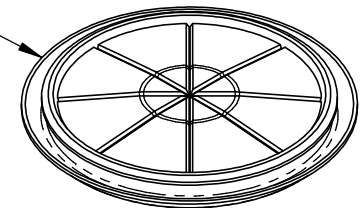
12-24 X 5/8" Pan head screw
Qty 50



Lock key
Qty 2



Grommet
Qty 5



CPI CHATSWORTH PRODUCTS, INC.

800-834-4969 techsupport@chatsworth.com www.chatsworth.com

INSTALLATION INSTRUCTIONS, CUBE IT CABINET

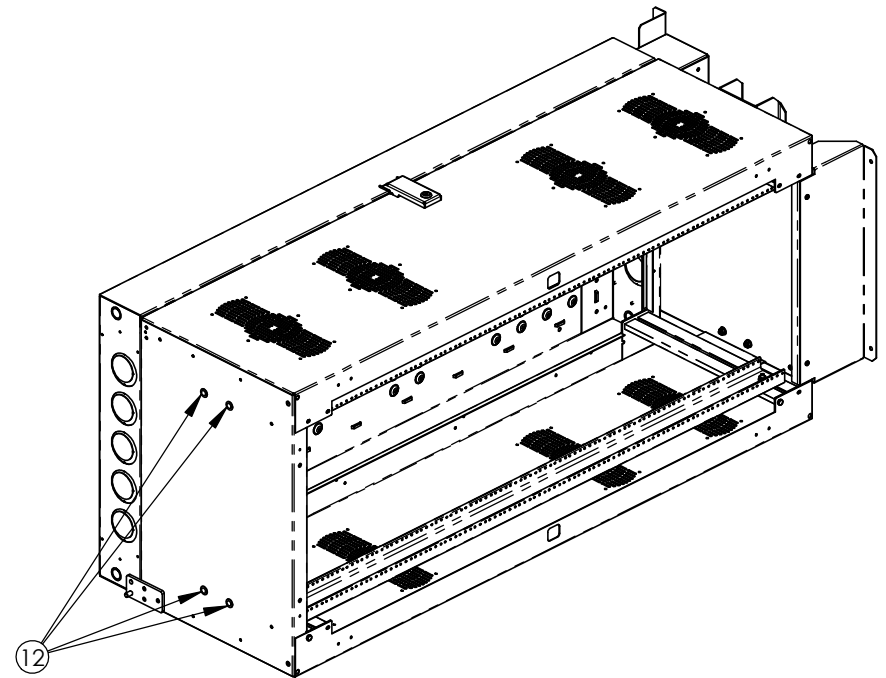
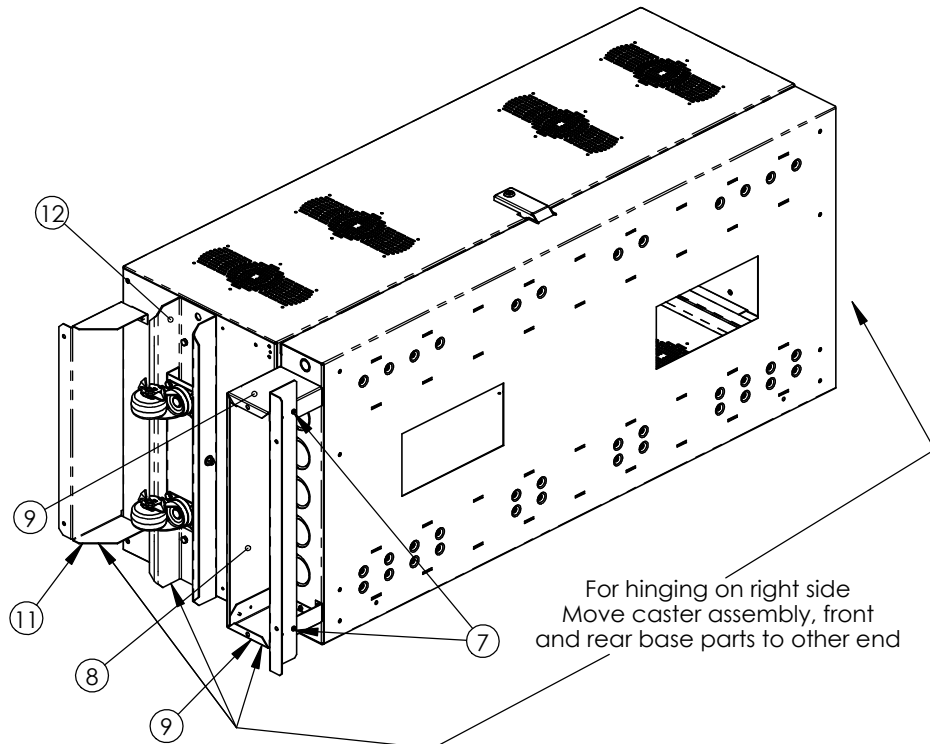
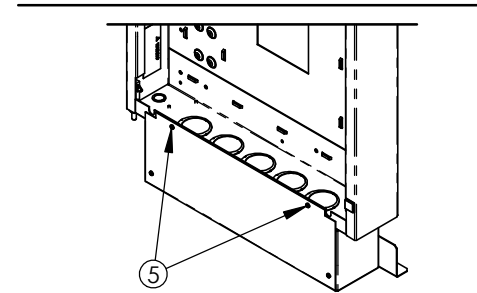
THIS DRAWING CONTAINS INFORMATION PROPRIETARY TO CHATSWORTH PRODUCTS, INC. ANY REPRODUCTION DISCLOSURE OR USE OF THIS DRAWING IS EXPRESSLY FORBIDDEN EXCEPT AS AGREED TO IN WRITING BY CHATSWORTH PRODUCTS, INC.

Cabinet Setup

1. Remove the four screws that mount the cabinet to the pallet.
2. Move the cabinet off the pallet to the floor. Caution: Use two people to do this, the cabinet is very heavy and could tip over.
3. Determine which side the cabinet will hinge from, the cabinet is set up to hinge from the left side. If you want it to hinge on the right side follow steps 4 - 14, otherwise do step 7 only.

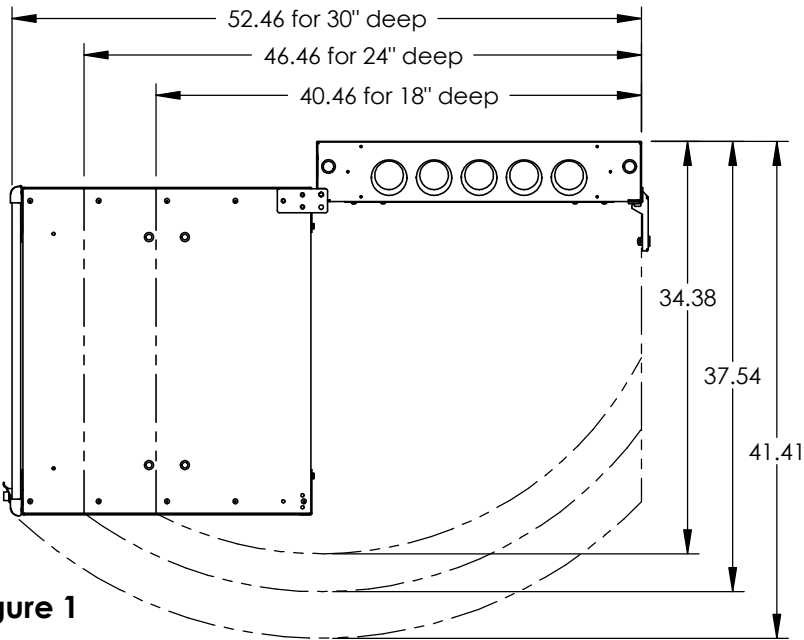
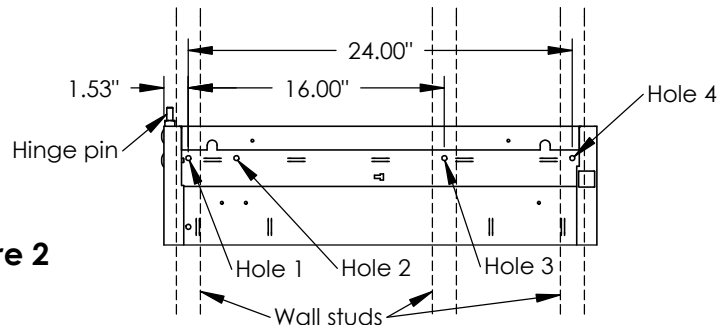
Hinge Change

4. Remove the front door from the cabinet by removing the four screws and nuts.
5. Open the rear panel enough (about 75 degrees) to remove the two top screws from the rear access panel. Reclose the rear panel and lock latch.
6. Lay the cabinet down on the side opposite of the rear latch. Use the packaging cardboard to protect the paint.
7. Remove the rear angle from the cabinet base by removing the four screws. Discard the angle and screws.
8. Remove the rear access panel by removing the two bottom screws and set aside.
9. Remove the two rear base feet by removing the 6 screws. Remount the feet to the opposite end of the cabinet.
10. Reinstall the access panel to the rear base feet.
11. Remove the front base bracket by removing the two screws at the front and two screws from the inside. Remount the bracket on the opposite end.
12. Remove the caster assembly by removing the four bolts and nuts. Remove the four plastic hole plugs from the top panel at the other end of the cabinet and install on the other end of cabinet. Mount the caster assembly at the other end.
13. Stand the cabinet up. Open the rear panel again and install the two top screws in the rear access panel. Close and lock the panel.
14. Remount the front door now or wait until after the cabinet is mounted to the wall.

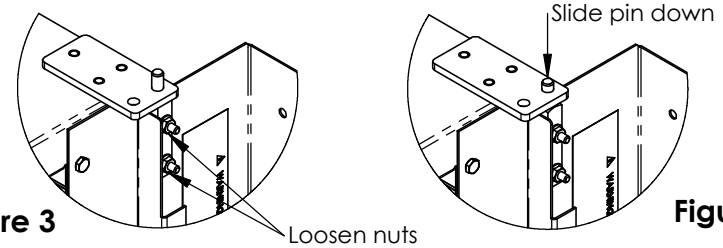


MOUNTING INSTRUCTIONS

1. These mounting instructions are for mounting the cabinet to a wood studded wall covered with 3/4" plywood. For masonry surface, the installer must provide appropriate hardware. It is important that the wall mounting surface be flat and plumb, otherwise it may be necessary to shim the rear panel in order to make the cabinet close properly.
2. Determine location on wall where cabinet will be mounted. Figure 1 shows the top view of the cabinet with the center body opened. Dimensions are shown for the maximum floor area needed, this will help determine the location.
3. Figure 2 shows the top portion of the rear panel with the mounting holes identified. Position the cabinet against the wall with mounting hole 1 located on a wall stud. Holes 3 or 4 should also be located on a wall stud, they are spaced 16" and 24" from hole 1.
4. With the cabinet in position against wall, open the front door (do not hinge cabinet body open from rear panel) and install four 1/4-10 X 2 Lag screws at mounting holes 2 and 3 (2 at the top and 2 at the bottom).
5. Remove the front base part from the bottom of the cabinet, there are two screws on the front and two screws on the inside. The part can be discarded.

**Figure 1****Figure 2**

6. Open the cabinet body 90 degrees and install the other four 1/4-10 X 2 Lag screws at mounting holes 1 and 4 (2 at the top and 2 at the bottom).
7. With the cabinet body still open loosen the two top hinge nuts from inside the rear panel (do not remove), see Figure 3. Slide the hinge pin down as far as it will go and retighten the nuts, see Figure 4. Repeat this for the bottom hinge pin.
8. Close cabinet body, do not lock. Check if the cabinet body contacts the rear panel at the top and bottom. If there is a gap at either the top or bottom you will need to shim the rear panel corner with the gap out to close the gap. Loosen the rear panel mounting screws 3 and 4 and add shims (not included) between wall and rear panel as close as possible to mounting screw 4, retighten screws.

**Figure 3****Figure 4**