



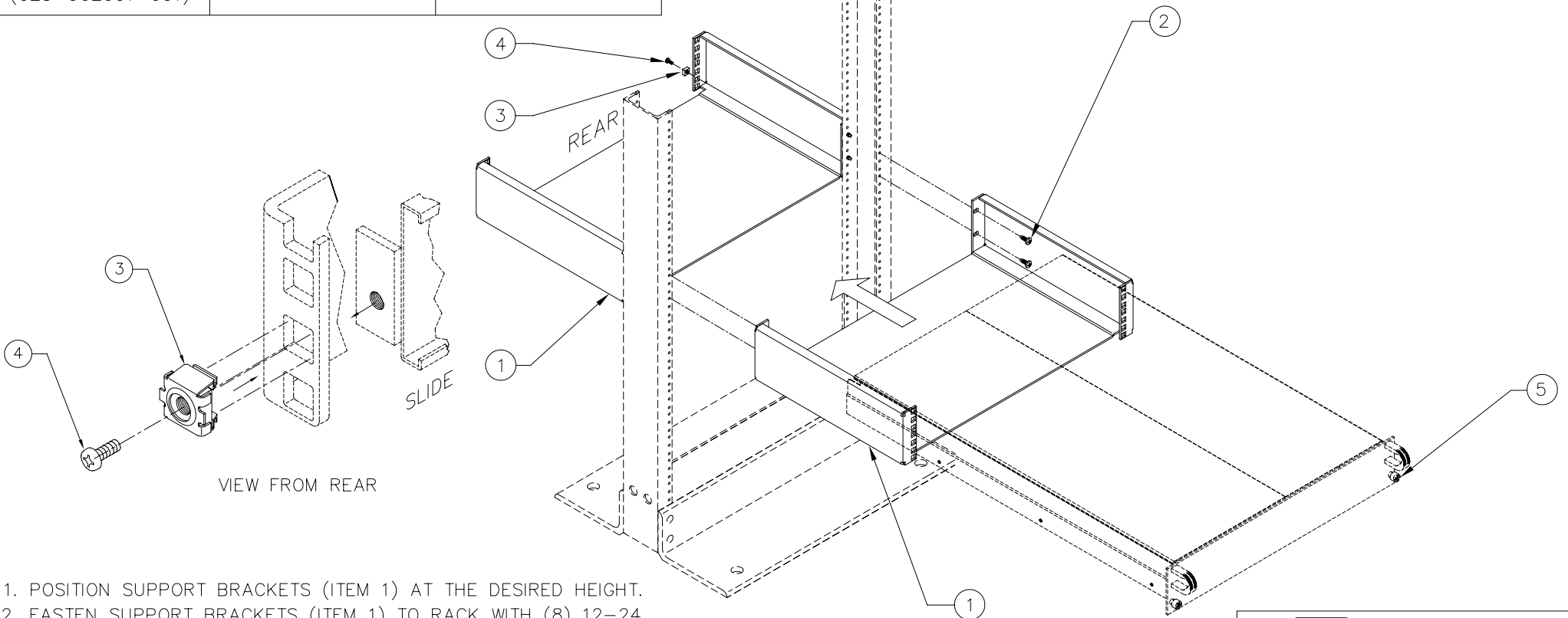
(8) 12-24 X 5/8  
COMBINATION  
PAN HEAD SCREW  
(025-902001-001)



(1) 10-32, CAGE NUT  
(025-903014-004)



(1) 10-32 X 5/8  
PAN HEAD SCREW  
(025-902012-013)



1. POSITION SUPPORT BRACKETS (ITEM 1) AT THE DESIRED HEIGHT.
2. FASTEN SUPPORT BRACKETS (ITEM 1) TO RACK WITH (8) 12-24 SCREWS (ITEM 2).
3. INSTALL DELL SERVER SLIDES INTO THE SUPPORT BRACKETS (ITEM 1).
4. POSITION (1) 10-32 CAGE NUT (ITEM 3) ONTO OUTSIDE OF THE SQUARE HOLE ON THE REAR SUPPORT BRACKET (ITEM 1) SECURE SLIDE WITH (1) 10-32 SCREW (ITEM 4) AS SHOWN. FOR ADDITIONAL INFORMATION, REFER TO DELL SERVER SLIDE INSTALLATION INSTRUCTION SHEET.
5. LOCK DELL SERVER UNIT IN POSITION WITH CAPTIVE THUMB SCREWS (ITEM 5).

**CPI CHATSWORTH PRODUCTS, INC.**

SLIDE MOUNT  
FOR DELL 2450/2550  
SERVER INSTALLATION  
INSTRUCTION

THIS DRAWING CONTAINS INFORMATION PROPRIETARY TO CHATSWORTH PRODUCTS, INC. ANY REPRODUCTION DISCLOSURE OR USE OF THIS DRAWING IS EXPRESSLY FORBIDDEN EXCEPT AS AGREED TO IN WRITING BY CHATSWORTH PRODUCTS, INC.