

Product Cut Sheet

DOUBLE-SIDED NARROW VERTICAL CABLING SECTION

Provides double-sided 3.65" (92.7 mm) cable run between equipment racks. Oval ports measuring 1.38" x 2.25" (35.1 mm x 51.2 mm) are spaced at 11.62" (295.1 mm) intervals along center separator for convenient cable and wiring pass through. Vertical slots secure optional Saf-T-Grip® Cable Management Straps for neatly bundled cables.

- Bolts to CPI Standard Rack, Universal Rack, QuadraRack 4-Post Frame and QuadraRack Server Frame
- Includes formed cabling section, lockable cabling latches spaced 12" (300 mm) apart, protective edge guards and mounting hardware
- 3.65" W x 12.75" D (92.7 mm x 323.9 mm); double-sided cable trough
- 1.38" x 2.25" (35.1 mm x 57.2 mm) oval pass through ports every 11.62" (295.1 mm)
- 9' (2.7 m) version consists of 7' (2.1 m) section with a 2' (0.6 m) extension
- Mounting hardware included

Part Number	Description ft (m)	Shipping Weight lb (kg)
12096-X03	7 (2.1) Double-Sided Narrow	24 (10.9)
12096-X15	8 (2.4) Double-Sided Narrow	27 (12.2)
12096-X08	9 (2.7) Double-Sided Narrow	28 (12.7)

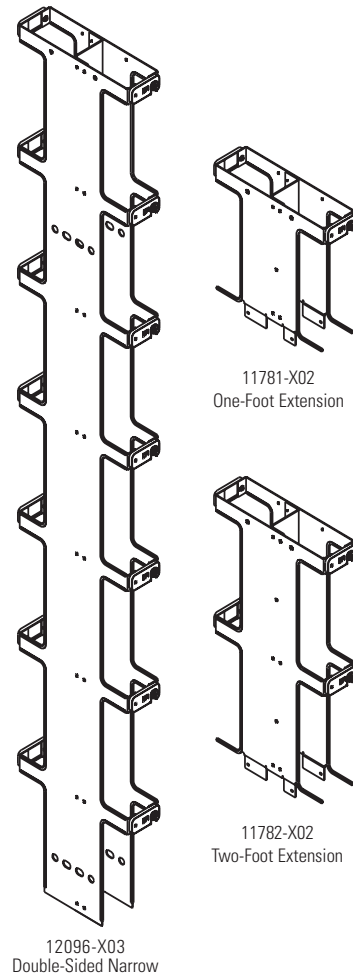
X=color: 1=Gray, 2=Computer Beige, 5=Clear, 7=Black, E=Glacier White.

Double-Sided Narrow Vertical Cabling Section Extensions

Adds one or two feet of height to vertical cabling sections, providing a uniform vertical pathway from ceiling to rack. Mounting hardware included.

Part Number	Description W x D in (mm)	Shipping Weight lb (kg)
11781-X02	One-Foot Extension 3.65 x 12.75 (92.7 x 323.9)	4 (1.8)
11782-X02	Two-Foot Extension 3.65 x 12.75 (92.7 x 323.9)	7 (3.2)

X=color: 1=Gray, 2=Computer Beige, 5=Clear, 7=Black, E=Glacier White.



800-834-4969 in U.S. & Canada • www.chatsworth.com