

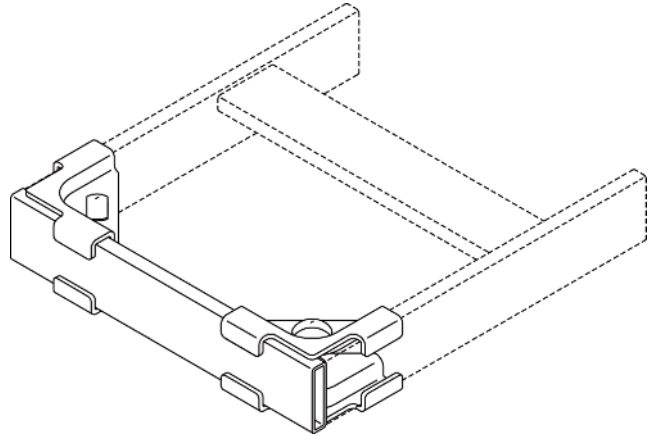
Product Cut Sheet

END CLOSING KIT, CABLE RUNWAY

Used to close an unspliced end of Cable Runway. Made of 3/8" x 1-1/2" x .065" (9.53 mm x 38 mm x 1.65 mm) thick rectangular steel tubing.

Kit consists of:

- (1) end closing bar
- (4) corner clamp plates
- (2) 3/8-16 x 1 3/8" trimmed round head square neck bolts
- (2) 3/8-16 hex nuts



Gold and white kits include gold color hardware, Gray and black kits include black color hardware.

Part Number	Description	Width in (mm)
11700-X04	End Closing Kit, Cable Runway	4 (100)
11700-X05	End Closing Kit, Cable Runway	5 (130)
11700-X06	End Closing Kit, Cable Runway	6 (150)
11700-X09	End Closing Kit, Cable Runway	9 (230)
11700-X12	End Closing Kit, Cable Runway	12 (300)
11700-X15	End Closing Kit, Cable Runway	15 (380)
11700-X18	End Closing Kit, Cable Runway	18 (460)
11700-X20	End Closing Kit, Cable Runway	20 (510)
11700-X24	End Closing Kit, Cable Runway	24 (610)

*X=*color: Gold (-0), Computer Beige (-2) and Glacier White (-E) kits have gold colored hardware. Gray (-1) and Black (-7) kits have black colored hardware.

800-834-4969 in U.S. & Canada • www.chatsworth.com



CHATSWORTH PRODUCTS

©2013 Chatsworth Products, Inc. All rights reserved. CPI, CPI Passive Cooling, GlobalFrame, MegaFrame, Saf-T-Grip, Seismic Frame, SlimFrame, TeraFrame, Cube-IT Plus, Evolution, OnTrac, Velocity and QuadraRack are federally registered trademarks of Chatsworth Products. eConnect and Simply Efficient are trademarks of Chatsworth Products. All other trademarks belong to their respective companies. 6/13