

PARTS INCLUDED

Cable manager, 1 pair
 1/4-20 X 1/2" pan head sems screw, 6 each



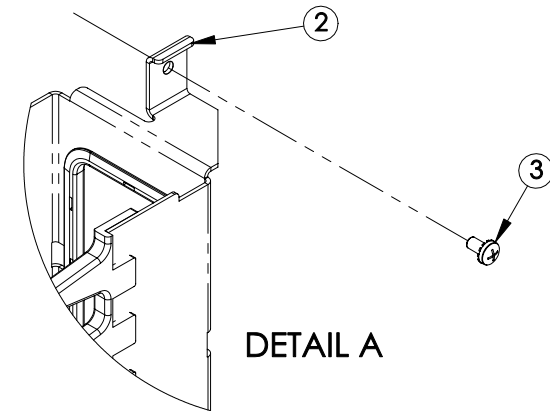
TOOLS REQUIRED

#2 Phillips screw driver

INSTALLATION

The cable manager is intended to be mounted in 23" wide cabinets that have the 23"-19" rail adapter kit installed (PN 10587-X01) see callout 1.

1. Remove the cabinet side panel from the side where the cable manager will be installed. On older cabinets the side panel is secured with 6 screws inside the cabinet.
2. Position the cable manager with the end flanges facing outwards, see callout 2.
3. Mount each manager with 2 screws, see callout 3.
 The screws mate with the captured nuts in the cabinet mounting slides, see callout 4. Do not fully tighten the screws.
4. Slide the manager to the desired position. The minimum distance from the cover to the end of the mounting slide is 4 3/4". This will allow the cover to open completely. Tighten the screws.



CPI CHATSWORTH PRODUCTS, INC.
 800-834-4969 techsupport@chatsworth.com www.chatsworth.com

**INSTALLATION INSTRUCTIONS,
 ENHANCED VERTICAL
 CABLE MANAGER**

THIS DRAWING CONTAINS INFORMATION PROPRIETARY TO CHATSWORTH PRODUCTS, INC. ANY REPRODUCTION DISCLOSURE OR USE OF THIS DRAWING IS EXPRESSLY FORBIDDEN EXCEPT AS AGREED TO IN WRITING BY CHATSWORTH PRODUCTS, INC.