

Front-to-back cable pass through port

Slots for securing cables with Saf-T-Grip velcro straps (not provided)

Holes for mounting optional power strips

A

### PARTS INCLUDED

Cable manager, 1 each  
 1/4-20 X 1/2" pan head sems screw, 4 each

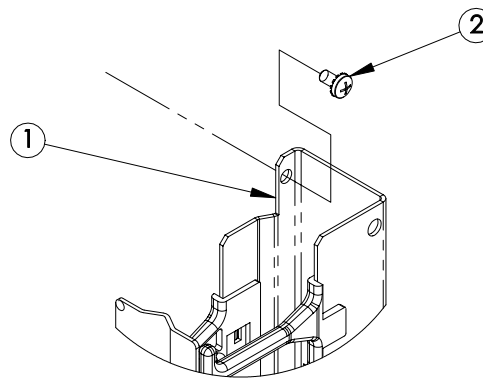


### TOOLS REQUIRED


#2 Phillips screw driver

### INSTALLATION

1. Remove the cabinet side panel from the side where the cable manager will be installed. On older cabinets the side panel is secured with 6 screws inside the cabinet.
2. Position the cable manager with cutouts on the side of the manager towards the cabinet mounting slides, see callout 1.
3. Mount the manager with the 4 screws provided, see callout 2. The screws mate with the captured nuts in the cabinet mounting slides, see callout 3. Do not fully tighten the screws.
4. Slide the manager to the desired position. The minimum distance from the cover to the end of the mounting slide is 3 1/8". This will allow the cover to open completely. Tighten the 4 screws.



DETAIL A



**CHATSWORTH PRODUCTS, INC.**  
 800-834-4969 techsupport@chatsworth.com www.chatsworth.com

**INSTALLATION INSTRUCTIONS,  
 ENHANCED VERTICAL  
 CABLE MANAGER**

THIS DRAWING CONTAINS INFORMATION PROPRIETARY TO CHATSWORTH PRODUCTS, INC. ANY REPRODUCTION DISCLOSURE OR USE OF THIS DRAWING IS EXPRESSLY FORBIDDEN EXCEPT AS AGREED TO IN WRITING BY CHATSWORTH PRODUCTS, INC.