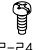

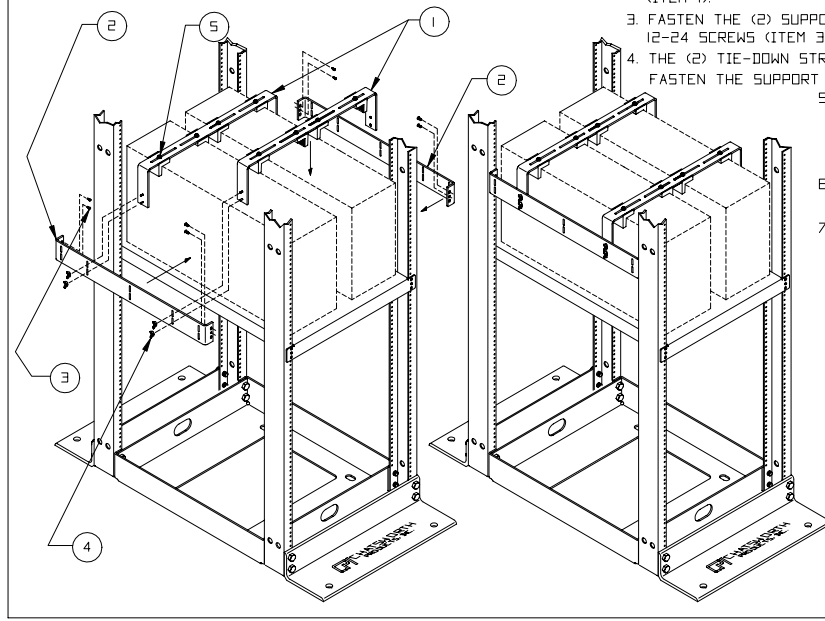




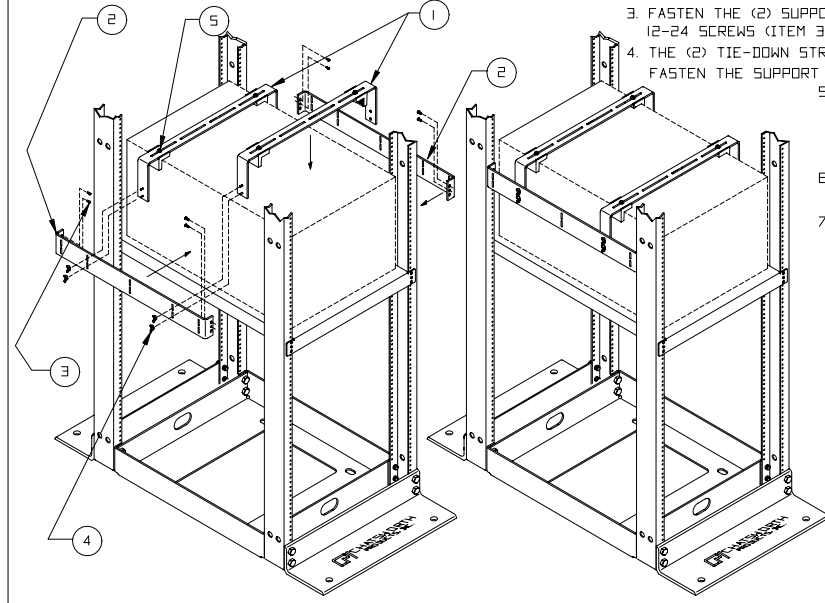
 (B) 10-32 WING NUT (025-903005-002)	 (B) 12-24 X 5/8 COMBINATION PAN HEAD SCREW (025-902201-001)	 (B) 10-32, HEX NUT SERRATED FLANGE (025-903006-003)
---	---	--




1. PLACE (2) TIE-DOWN STRAPS (ITEM 1) ON TOP OF THE SERVERS AND ADJUST THE PLASTIC CLAMPS ACCORDINGLY. DO NOT TIGHTEN THE 10-32 HEX NUTS (ITEM 5) AT THIS TIME.
2. LOCATE THE (2) SUPPORT BRACKETS (ITEM 2) BETWEEN THE TWO RACK CHANNELS. ALIGN THE 10-32 STUDS ON EACH SIDE OF TIE-DOWN STRAP TO ANY OF THE PRE-DETERMINED SLOTS LOCATED IN THE SUPPORT BRACKETS (ITEM 1).
3. FASTEN THE (2) SUPPORT BRACKETS (ITEM 2) TO RACK CHANNELS WITH (B) 12-24 SCREWS (ITEM 3).
4. THE (2) TIE-DOWN STRAPS (ITEM 1) MAYBE REMOVED TO ALLOW ROOM TO FASTEN THE SUPPORT BRACKETS TO RACK CHANNELS.
5. TO RE-INSTALL THE TIE-DOWN STRAPS (ITEM 1), SQUEEZE EACH END OF THE TIE-DOWN STRAP TO INSERT THE STUDS INTO THE SLOTS IN THE SUPPORT BRACKETS (ITEM 2).
6. RE-ADJUST PLASTIC CLAMPS AND TIGHTEN THE 10-32 HEX NUTS (ITEM 5).
7. FASTEN STRAPS (ITEM 1) TO SUPPORT BRACKETS (ITEM 2) WITH (B) WING NUTS (ITEM 4).

 **CHATSWORTH PRODUCTS, INC.**
**EQUIPMENT TIE-DOWN
 BRACKET
 INSTRUCTIONS**
THIS DRAWING CONTAINS INFORMATION PROPRIETARY TO CHATSWORTH PRODUCTS, INC. ANY REPRODUCTION DISCLOSURE OR USE OF THIS DRAWING IS EXPRESSLY FORBIDDEN EXCEPT AS AGREED TO IN WRITING BY CHATSWORTH PRODUCTS, INC.

 (B) 10-32 WING NUT (025-903005-002)	 (B) 12-24 X 5/8 COMBINATION PAN HEAD SCREW (025-902201-001)	 (B) 10-32, HEX NUT SERRATED FLANGE (025-903006-003)
---	---	--



1. PLACE (2) TIE-DOWN STRAPS (ITEM 1) ON TOP OF THE SERVER AND ADJUST THE PLASTIC CLAMPS ACCORDINGLY. DO NOT TIGHTEN THE 10-32 HEX NUTS (ITEM 5) AT THIS TIME.
2. LOCATE THE (2) SUPPORT BRACKETS (ITEM 2) BETWEEN THE TWO RACK CHANNELS. ALIGN THE 10-32 STUDS ON EACH SIDE OF TIE-DOWN STRAP TO ANY OF THE PRE-DETERMINED SLOTS LOCATED IN THE SUPPORT BRACKETS (ITEM 1).
3. FASTEN THE (2) SUPPORT BRACKETS (ITEM 2) TO RACK CHANNELS WITH (B) 12-24 SCREWS (ITEM 3).
4. THE (2) TIE-DOWN STRAPS (ITEM 1) MAYBE REMOVED TO ALLOW ROOM TO FASTEN THE SUPPORT BRACKETS TO RACK CHANNELS.
5. TO RE-INSTALL THE TIE-DOWN STRAPS (ITEM 1), SQUEEZE EACH END OF THE TIE-DOWN STRAP TO INSERT THE STUDS INTO THE SLOTS IN THE SUPPORT BRACKETS (ITEM 2).
6. RE-ADJUST PLASTIC CLAMPS AND TIGHTEN THE 10-32 HEX NUTS (ITEM 5).
7. FASTEN STRAPS (ITEM 1) TO SUPPORT BRACKETS (ITEM 2) WITH (B) WING NUTS (ITEM 4).

 **CHATSWORTH PRODUCTS, INC.**
**EQUIPMENT TIE-DOWN
 BRACKET
 INSTRUCTIONS**
THIS DRAWING CONTAINS INFORMATION PROPRIETARY TO CHATSWORTH PRODUCTS, INC. ANY REPRODUCTION DISCLOSURE OR USE OF THIS DRAWING IS EXPRESSLY FORBIDDEN EXCEPT AS AGREED TO IN WRITING BY CHATSWORTH PRODUCTS, INC.