

Installation Instructions

Evolution[®] Vertical Cable Managers

Safety Information



WARNING: Product is heavy. Use two people to lift.



WARNING: Do not lift product by plastic fingers.



WARNING: Product not designed for stand-alone use. Support product properly until bolted to rack. Do not leave unsupported product unattended.



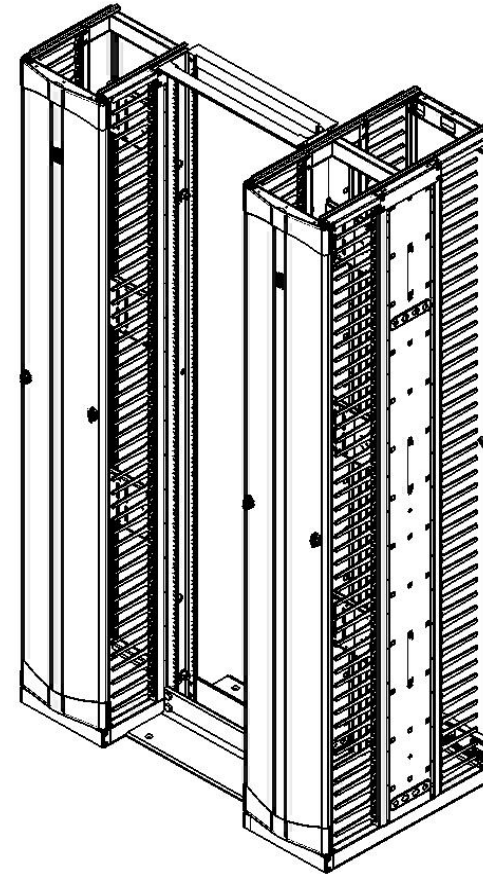
WARNING: Make sure door pins engage completely when installing door.

Intended Use

Install this vertical cable manager (VCM) only in a restricted service environment, such as a data center. Use indoors only, in environmentally controlled areas; do not use outdoors, in harsh environments or in air-handling spaces. Use this VCM to house copper and fiber data communications cabling. Allow only qualified service personnel to use this VCM.

Packaged Hardware

QTY	DESCRIPTION
8	1/2-20 x 1 Bolts
8	1/2 Washers
8	1/2-20 Hex Nuts
2	1/4-20 x 3/4 Hex Cap Screws (not required for Evolution VCM)
2	1/4-20 Hex Nuts (not required for Evolution VCM)



CHATSWORTH PRODUCTS, INC.

IIS-735511, 01/06/10, Rev. 2, CPI/J Garza

800-834-4969 (USA & Canada) • www.chatsworth.com • techsupport@chatsworth.com

For international phone numbers, see our website or contact CPI Tech Support.

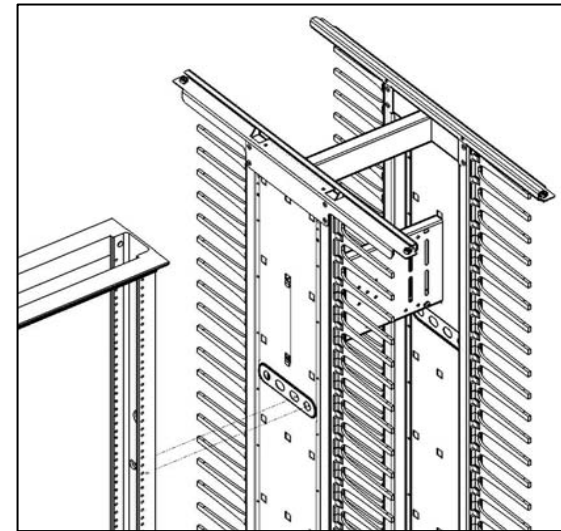
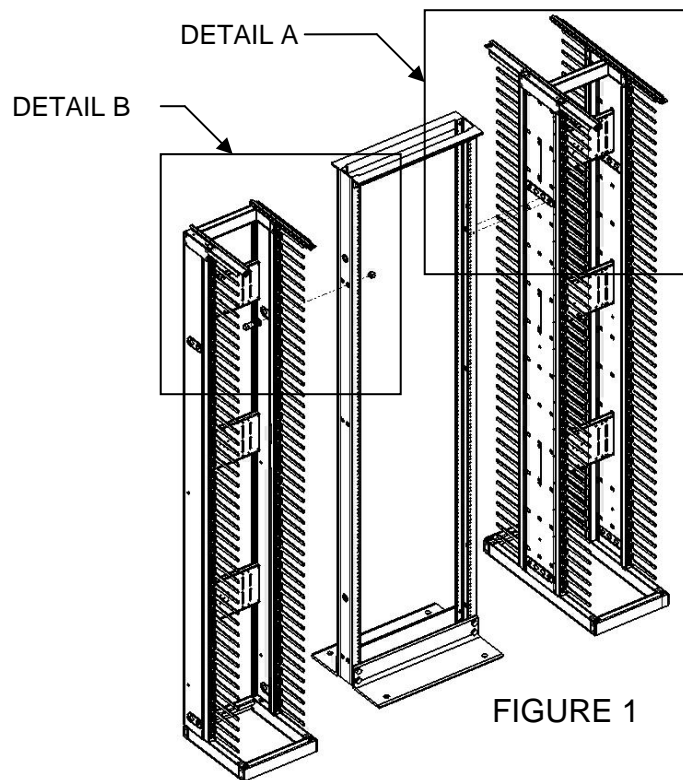
This drawing contains proprietary and confidential information and is protected by U.S. and international law. Unauthorized reproduction, disclosure or use of the drawing or the information therein is expressly forbidden except as agreed to in writing by Chatsworth Products, Inc.

Installation Instructions

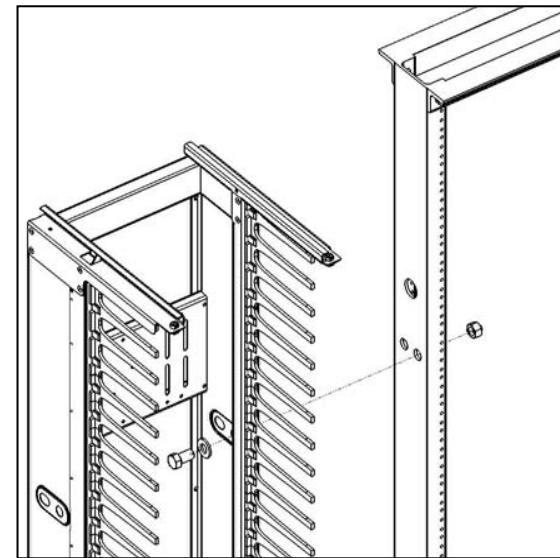
Evolution[®] Vertical Cable Managers

MOUNTING INSTRUCTIONS

1. Stand the Vertical Cable Manager (VCM) and position it next to the rack as shown in FIGURE 1.
2. The VCM must be contacting the floor when installed.
3. For the Double Sided VCM, align with rack using the front mounting holes to bias the manager towards the rear as shown in DETAIL A.
4. Attach the VCM to the rack with 4 each of ½-20x1" hex bolts, ½" flat washers, and ½-20 hex nuts as shown in DETAIL B. CPI Universal racks have threaded inserts that the bolts screw into.



DETAIL A



DETAIL B

Installation Instructions

Evolution[®] Vertical Cable Managers

DOOR INSTALLATION

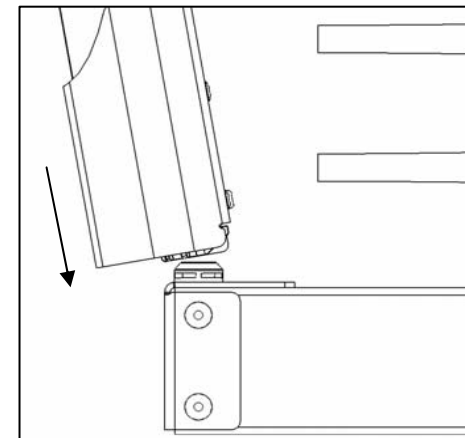
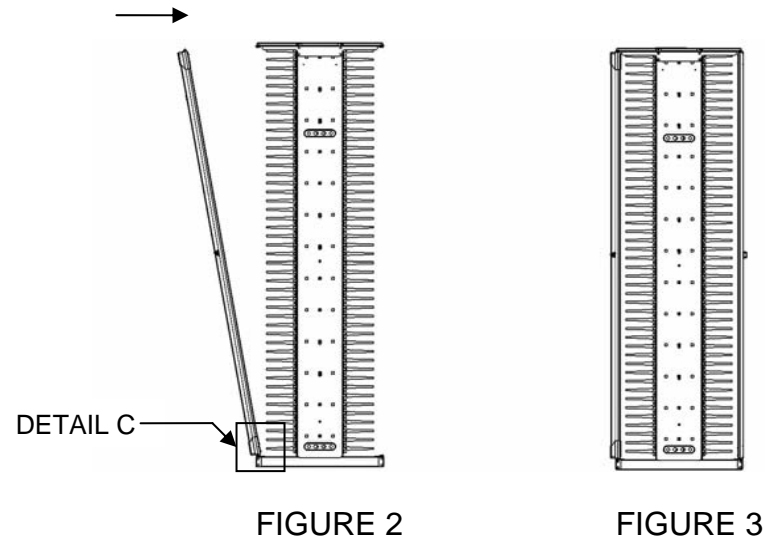
The door attaches to the VCM using four hinge mechanisms operated by the knobs on the front of the door.

The Evolution g1 Single Sided Vertical Cable Manager uses only the front door.

The Evolution g2 Double Sided Vertical Cable Manager uses a front and rear door.

To install the door:

1. Position the door with the top side up.
 - a. For the front door, the CPI Logo will be located at the top.
 - b. For both doors, the knobs rotate inwards to retract the hinges.
2. Rotate the knobs inward to retract the hinges.
3. Lift the door to place bottom hinges over bushings on the base of the VCM as shown in DETAIL C.
4. Push the door in to align the top hinges with the bushings on top of the VCM as shown in FIGURE 2.
5. Release the knobs to engage the door hinges with the VCM.
6. The door is now closed as shown in FIGURE 3.



DETAIL C



WARNING: Make sure door pins engage completely when installing door.

Installation Instructions

Evolution[®] Vertical Cable Managers

DOOR OPERATION

1. Closed: All knobs point vertically.
2. Left Hinging: Rotate right knob inward to open door as shown in DETAIL D.
3. Right Hinging: Rotate left knob inward to open door as shown in DETAIL E.
4. Door Removal: Rotate both knobs inward to retract hinges. Lift door to remove from VCM.

The door rotates 180 degrees before the knob contacts the plastic fingers on the VCM.

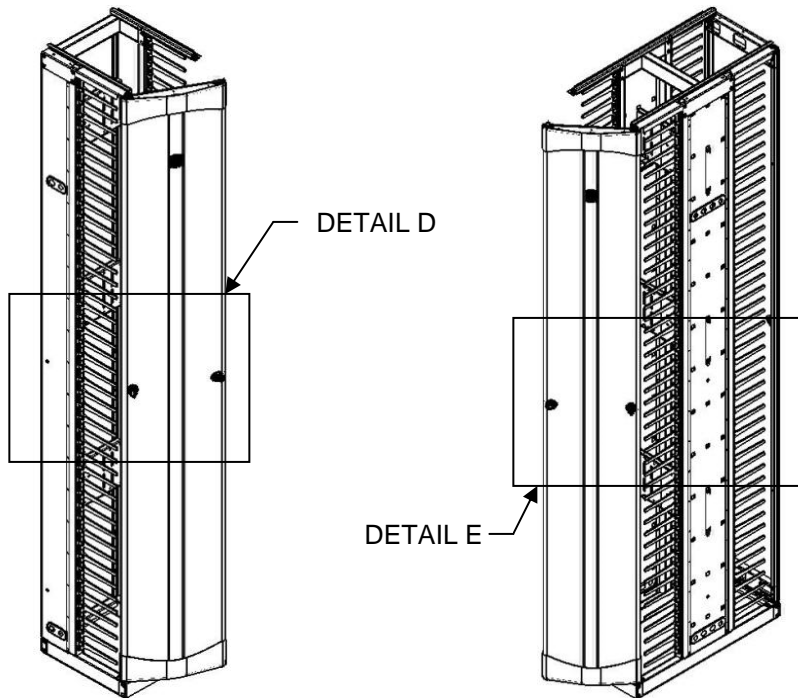
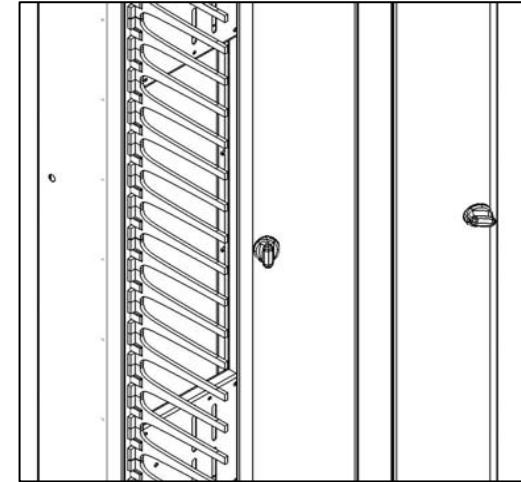
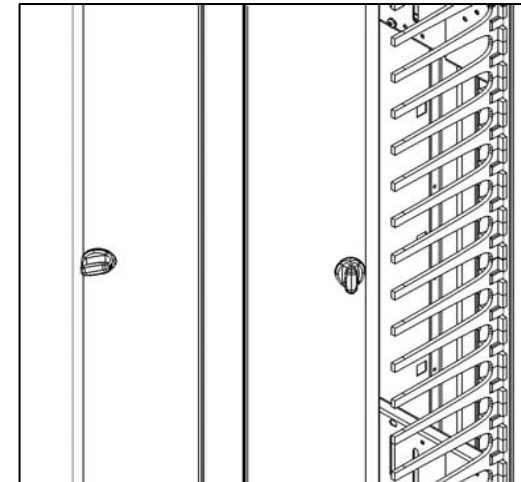


FIGURE 4

FIGURE 5



DETAIL D



DETAIL E

Installation Instructions

Evolution[®] Vertical Cable Managers

OPTIONAL CABLE SPOOL KIT

To attach optional Cable Spool Kit, use provided screw to mount to Mid Sections of Single Sided and Double Sided VCM as shown in FIGURE 6.

NOTE: Cable Spool Kit not to be used with 6 inch wide configurations of Evolution VCM.

For easier installation, attach Lashing Bar and Fiber Segregation accessories before Cable Spool Kit.

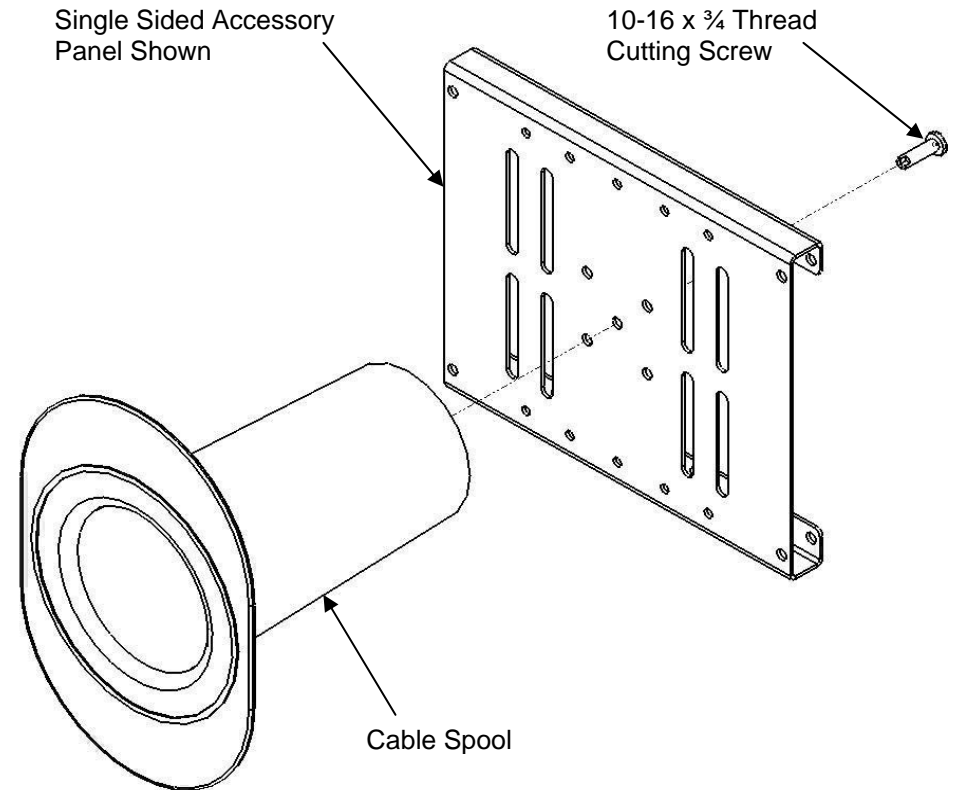


FIGURE 6