

The new ExpandaRack Extension Kit is designed to easily convert one CPI Rack Assembly into a high capacity 4-Post Frame.

1- USING AN EXISTING CPI RACK ASSEMBLY, REMOVE 1 EA. TOP AND BASE ANGLES FROM SAME SIDE OF RACK. RETAIN HARDWARE AND ANGLES FOR REASSEMBLY TO THE EXTENSION KIT.

2- BUILD THE OTHER RACK ASSEMBLY WITH 2 RACK CHANNELS AND EXISTING TOP AND BASE ANGLES WITH HARDWARE ON SAME SIDE OF RACK. DO NOT TIGHTEN.

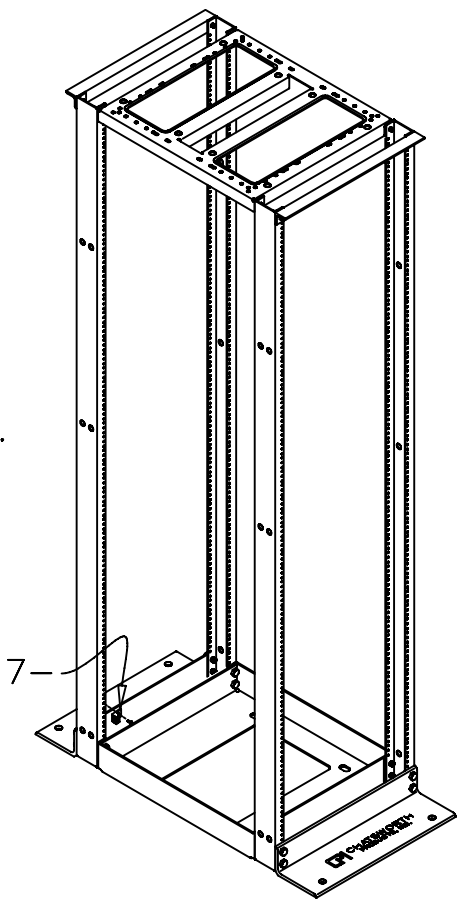
3- ASSEMBLE BASE PAN AND CPI RACKS USING 1/2-13 BOLTS AT BASE ANGLE HOLE LOCATIONS. DO NOT TIGHTEN.


4- ASSEMBLE TOP PAN AND CPI RACKS USING 3/8-16 BOLTS AND SPLIT WASHERS AT TOP ANGLE HOLE LOCATIONS. DO NOT TIGHTEN.

5- 4-POST FRAME ASSEMBLY MUST BE SQUARED AND ALL HOLE PATTERNS PARALLEL THEN TIGHTEN ALL BOLTS SECURELY.

6- COMPLETED 4-POST FRAME ASSEMBLY MAY BE REINSTALLED FORWARD, CENTER OR TO THE REAR ON AN EXISTING BASE ANGLE TO FLOOR ATTACHMENTS.

7- A GROUNDING BLOCK MAY BE INSTALLED AT THE CUSTOMER'S DISCRETION, AT ANY POINT ON THE RAIL CHANNEL USING A SELF-TAPPING 12-24 SCREW.



 CHATSWORTH PRODUCTS, INC.
ExpandaRack UNIV. EXTENSION KIT INSTALLATION INSTRUCTIONS
THIS DRAWING CONTAINS INFORMATION PROPRIETARY TO CHATSWORTH PRODUCTS, INC. ANY REPRODUCTION DISCLOSURE OR USE OF THIS DRAWING IS EXPRESSLY FORBIDDEN EXCEPT AS AGREED TO IN WRITING BY CHATSWORTH PRODUCTS, INC.