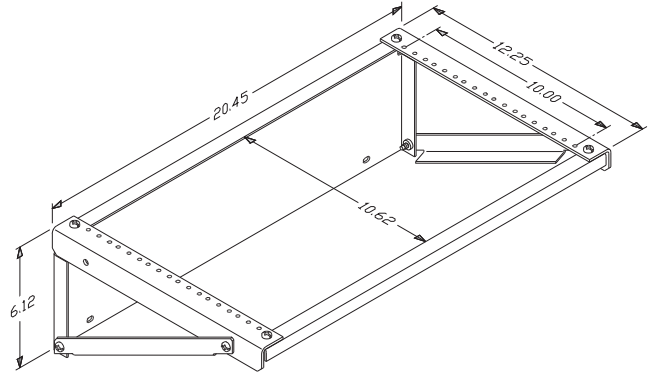


Product Cut Sheet

EXTRA-CAPACITY, FLUSH-MOUNTED WALL BRACKET

This rack is used to mount up to 6U of rack mount equipment flush to the wall. Ideal for small or tight spaced installations. Supports 150 lb. Mounting hardware not included. Made of strong, lightweight aluminum.



Part Number	Description	Color
84501-700	19"W, 6U, Wall Bracket	Black

800-834-4969 in U.S. & Canada • www.chatsworth.com



CHATSWORTH PRODUCTS, INC.

©2010 Chatsworth Products, Inc. All rights reserved. CPI, CPI Passive Cooling, Saf-T-Grip, Seismic Frame, SlimFrame, MegaFrame and TeraFrame are federally registered trademarks of Chatsworth Products, Inc. Cube-iT Plus, Evolution, OnTrac, QuadraRack and Simply Efficient are trademarks of Chatsworth Products, Inc. All other trademarks belong to their respective companies. 01/10