

GENERAL SAFETY GUIDELINES:

Always personally ensure that electrical power has been disconnected before working on or installing a component.

Do not perform any action that may create a potential hazard to others to make equipment unsafe.

Check the work area for any potential hazards and resolve them before beginning any work.

Do not attempt to lift objects that are too heavy to be lifted safely by yourself.

Never work alone when potentially hazardous conditions exist.

Do not wear loose clothing, jewelry, or other items that might get caught in the assembly.

Secure any dangling clothing accessories, such as ties, scarves, or sleeves.

Never install damaged equipment.



800-834-4969 techsupport@chatsworth.com www.chatsworth.com

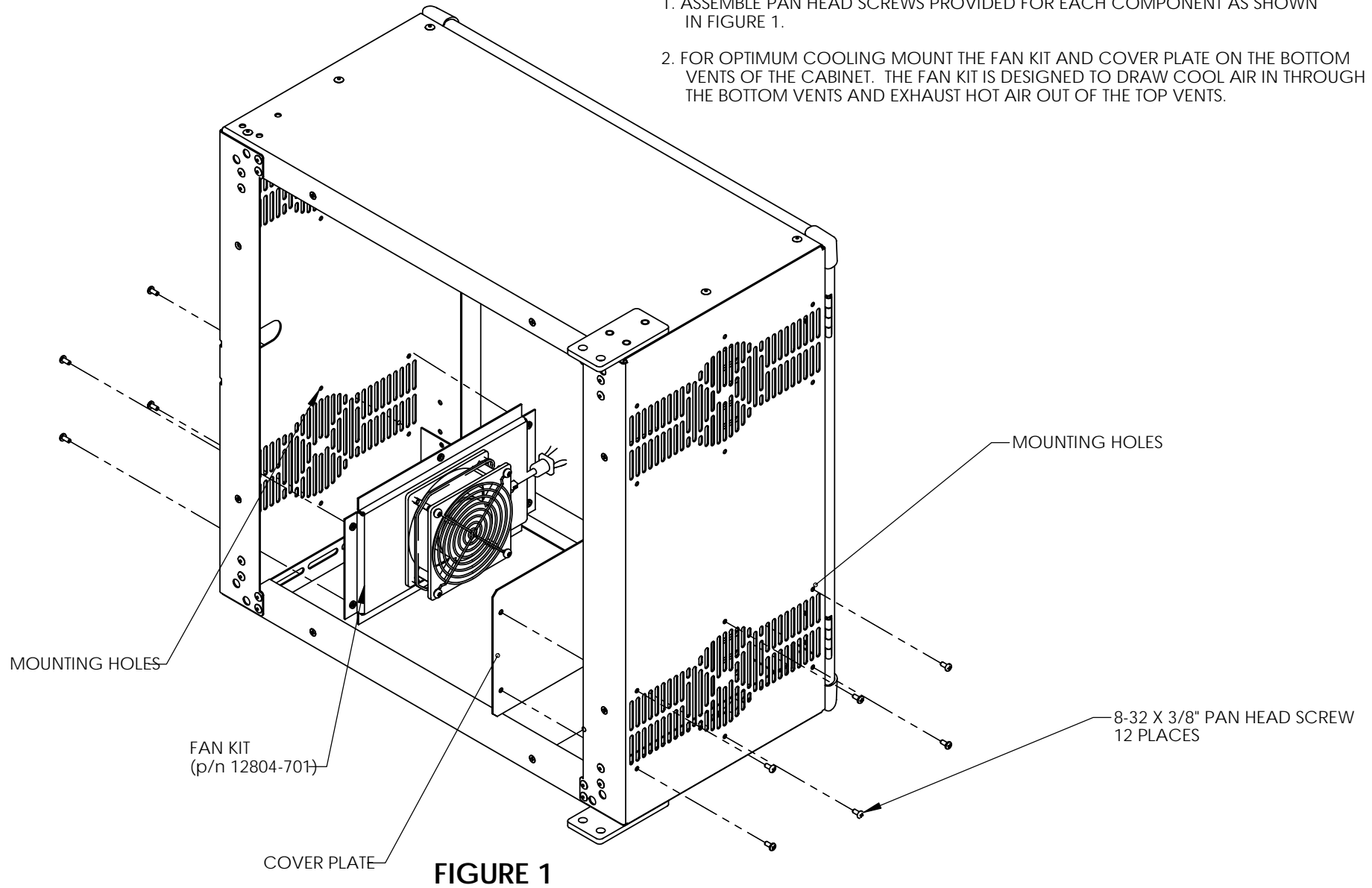
INSTALLATIONS-INSTRUCTIONS,  
FAN KIT,  
CUBE-IT

THIS DRAWING CONTAINS INFORMATION PROPRIETARY TO CHATSWORTH PRODUCTS, INC. ANY REPRODUCTION DISCLOSURE OR USE OF THIS DRAWING IS EXPRESSLY FORBIDDEN EXCEPT AS AGREED TO IN WRITING BY CHATSWORTH PRODUCTS, INC.

TOOL REQUIRED: #2 PHILLPS SCREWDRIVER

**INSTALLATION:**

1. ASSEMBLE PAN HEAD SCREWS PROVIDED FOR EACH COMPONENT AS SHOWN IN FIGURE 1.
2. FOR OPTIMUM COOLING MOUNT THE FAN KIT AND COVER PLATE ON THE BOTTOM VENTS OF THE CABINET. THE FAN KIT IS DESIGNED TO DRAW COOL AIR IN THROUGH THE BOTTOM VENTS AND EXHAUST HOT AIR OUT OF THE TOP VENTS.



NOTE: RAILS AND REAR PANEL NOT SHOWN FOR CLARITY.