

## FIBER SLACK MANAGER INCLUDES:

(1) Fiber Slack Panel with (4) Radius Control Modules installed.

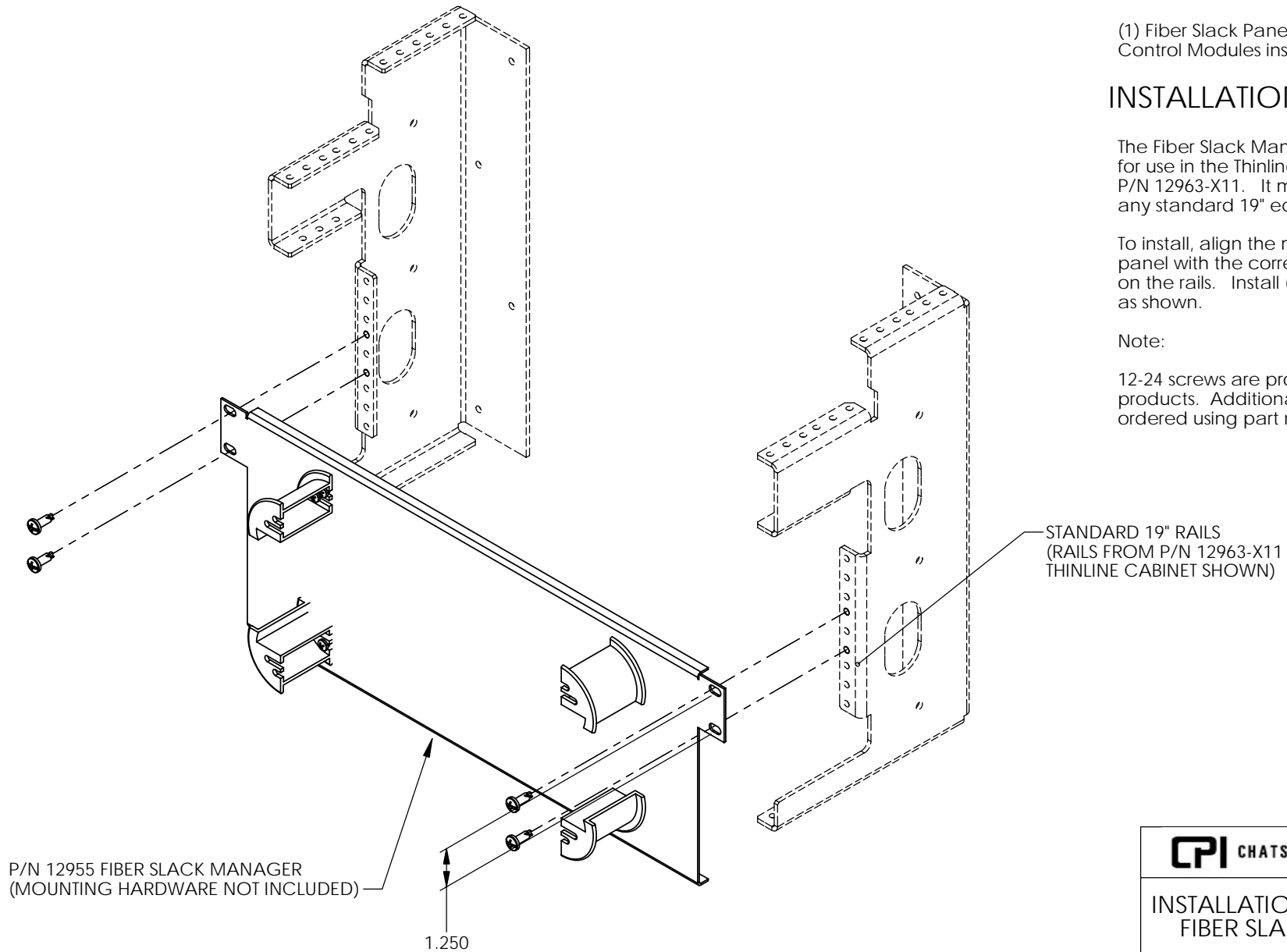
## INSTALLATION:

The Fiber Slack Manager was designed for use in the Thinline Wall Cabinet P/N 12963-X11. It may also be used with any standard 19" equipment rails.

To install, align the mounting holes on the panel with the corresponding holes on the rails. Install (4) mounting screws as shown.

Note:

12-24 screws are provided with CPI rack products. Additional screws may be ordered using part number 40605-001.



**CPI** CHATSWORTH PRODUCTS, INC.

INSTALLATION INSTRUCTIONS  
FIBER SLACK MANAGER

THIS DRAWING CONTAINS INFORMATION PROPRIETARY TO CHATSWORTH PRODUCTS, INC. ANY REPRODUCTION DISCLOSURE OR USE OF THIS DRAWING IS EXPRESSLY FORBIDDEN EXCEPT AS AGREED TO IN WRITING BY CHATSWORTH PRODUCTS, INC.