

**Included Hardware:**

- 8-32 x 1-1/4 Screws, black zinc (qty 4)
- M4 x 25 Screws, clear zinc (qty 4)

**Tools Required:**

- #2 Phillips Screwdriver

**Before you begin:**

Determine if your fan kit has metric or imperial threads by test fitting the black and clear screws provided in filter hardware kit. Use the appropriate screws for the following assembly steps.

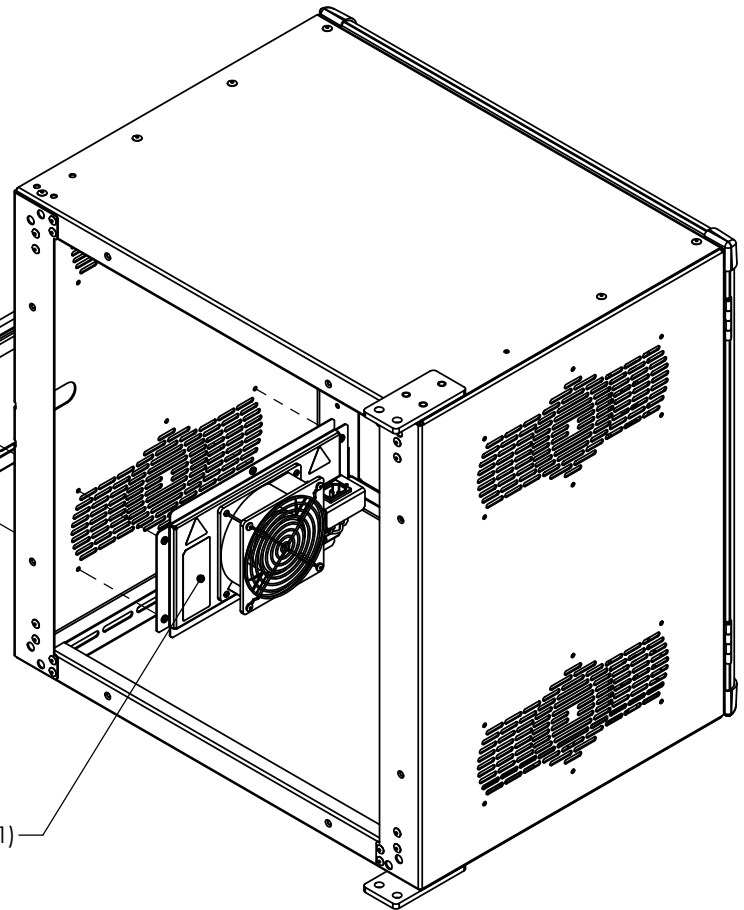
**Installation of Filter Outside of Cabinet (recommended)**

- 1) Set aside filter prior to assembly
- 2) Install 4 long pan head screws as shown in Figure 1
- 3) Install filter as shown in detail B

Long pan head screw (qty 4)

FILTER KIT (p/n 12805-X01)

FAN KIT (REF) (p/n 12804-701)



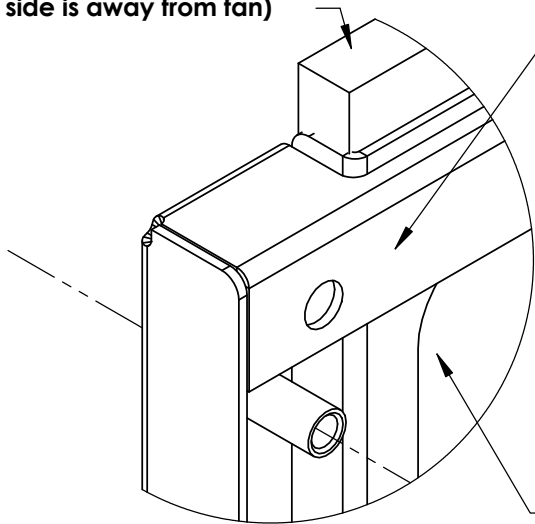
**FIGURE 1**

**NOTE: REAR PANEL AND RAIL NOT SHOWN FOR CLARITY**

Filter properly installed (filter side is away from fan)

**\*\*IMPORTANT\*\* THIS SURFACE TOWARD FAN**

PLENUM AREA



**DETAIL B**

**CPI** CHATSWORTH PRODUCTS, INC.

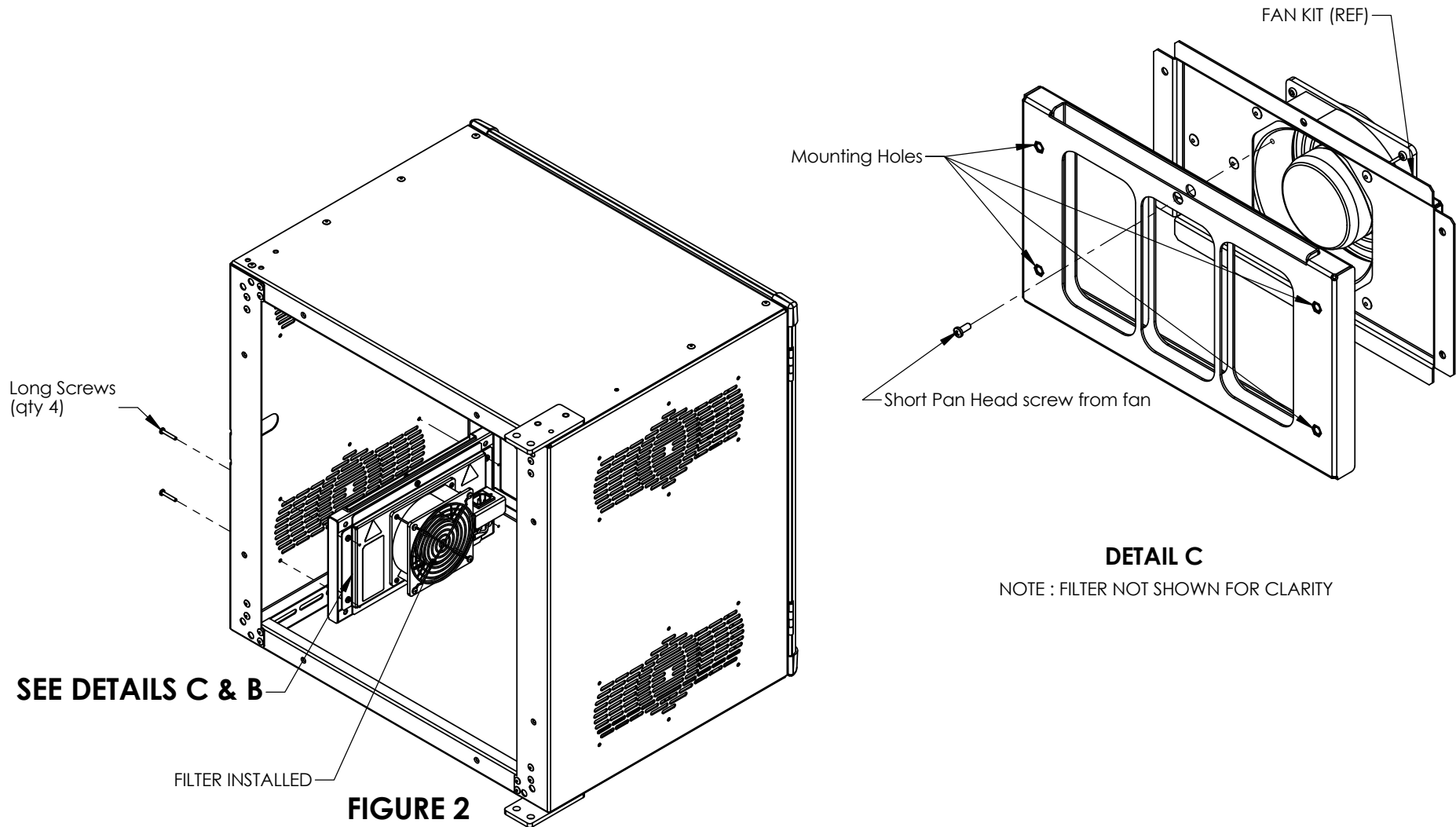
800-834-4969 techsupport@chatsworth.com www.chatsworth.com

**INSTALLATION INSTRUCTIONS, FILTER KIT, CUBE IT**

THIS DRAWING CONTAINS PROPRIETARY AND CONFIDENTIAL INFORMATION AND IS PROTECTED BY U.S. AND INTERNATIONAL LAW. UNAUTHORIZED REPRODUCTION, DISCLOSURE OR USE OF THE DRAWING OR THE INFORMATION THEREIN IS EXPRESSLY FORBIDDEN EXCEPT AS AGREED TO IN WRITING BY CHATSWORTH PRODUCTS, INC.

## \*\* Installation with Filter Inside of Cabinet (optional):

- 1) Set aside filter prior to assembly
- 2) Using one of the short screws from the fan kit, attach filter assembly to fan at top center hole location as shown in Detail C. This technique will make the next assembly step easier.
- 3) Install the four long screws provided as shown in Figure 2.
- 4) Install filter as shown in Detail B on page 1.



**\*\* NOTE THAT WHEN MOUNTING BOTH (FILTER AND FAN KIT) ON THE INSIDE OF THE CABINET, THE BOTTOM THREE (3) RMU'S ARE RESTRICTED TO SHALLOW EQUIPMENT THAT DOES NOT BLOCK THE FAN EXHAUST.**