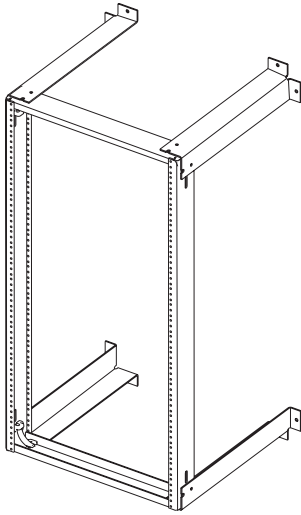


Frequently Asked Questions

FIXED WALL-MOUNT EQUIPMENT RACK



11960-X06	11960-X12	11960-X18
11961-X06	11961-X12	11961-X18
11962-X06	11962-X12	11962-X18
11963-X06	11963-X12	11963-X18
11964-X06	11964-X12	11964-X18
11965-X06	11965-X12	11965-X18

Q. When should a Fixed Wall-Mount Equipment Rack be used?

A. This rack is best used when a limited amount of equipment must be supported on a wall, typically in a limited physical space, and when access to the rear of the equipment is not critical.

Q. What type of equipment will CPI's Fixed Wall-Mount Equipment Rack support?

A. This rack will support both direct panel-mount (rack-mount) equipment or shelf-mount equipment. Both 19" and 23" wide EIA-310-D compliant options are available for direct panel-mount equipment. Any CPI rack-mount shelf may also be attached to the rack to provide a flat mounting surface in a variety of sizes and load bearing capacities.

Q. What is the equipment Load Bearing Capacity of these racks?

A. Each rack model will hold 200 lb (90.7 kg). of equipment when fastened to a properly anchored wallboard with all attachment points.

Q. Can Fixed Wall-Mount Equipment Rack be converted into a Standard Swing Gate Wall Rack in the field?

A. No, these racks are not designed to be interchangeable.

Q. How is cable managed on the Fixed Wall-Mount Equipment Rack?

A. The Wall Rack Cable Management Ring Set (P/N 11799-001), allows you to create a cable pathway from the wall to the equipment mounted on the rack. The set includes 6 each 3" diameter rings with all necessary hardware for attachment to the wall-mount brackets or the channel uprights of the rack. The rings may be oriented to route cable on the front, rear or side of the mounting channels. This is the best way to create an EIA/TIA Standards Compliant pathway for cables entering [or exiting] the rack.

The Patch Panel Wire Management Bar (P/N 12176-X01) may be placed behind patch panels mounted on 19" wide racks to support terminated cables. Attach cables to the bar so that there is no pressure from the weight of the cable on the termination at the connector. The 19" Horizontal Wire Management Panels (P/N 13070-X19 for 1U and P/N 13075-X19 for 2U) may be used on the front of the rack in between patch panels and active equipment to route patch cords to the vertical managers. Generally, one should allow 1U of cable management for every 2U of connectivity.

Q. What thread set does the mounting system support?

A. All wall racks are punched along the front and rear flange of the upright mounting channels with the 5/8"-5/8"-1/2" Universal Hole Pattern in compliance with the EIA-310-D Standard. Each hole is roll-formed with the #12-24 thread. Each rack includes 50 mounting screws. This screw is approximately .2" in diameter, and will attach most fixed panel mount equipment.

Q. I did not find the answer to my question. Who do I contact for assistance?

A. Please contact CPI Technical Support at 800-834-4949 or www.techsupport.com for assistance.