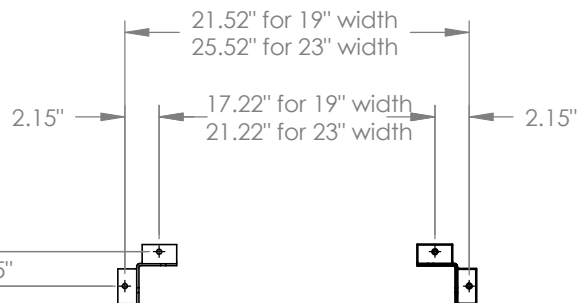
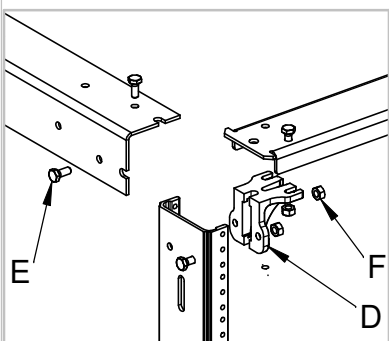
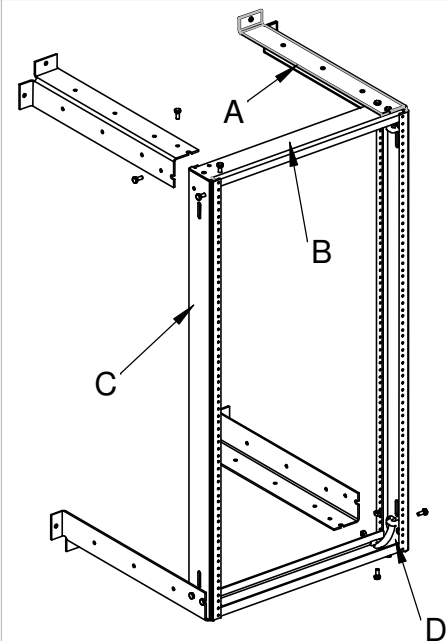


U/L APPROVED PART NUMBERS

11960-X06	11960-X12	11960-X18	11963-X06	11963-X12	11963-X18
11961-X06	11961-X12	11961-X18	11964-X06	11964-X12	11964-X18
11962-X06	11962-X12	11962-X18	11965-X06	11965-X12	11965-X18

INSTRUCTIONS

- Step 1** On a flat surface, align cross-members (B) and mounting channels (C).
- Step 2** Position the corner assembly brackets (D) in each corner as depicted and loosely secure in front mounting holes with hex bolts (E) and hex nuts (F).
- Step 3** Slide legs (A) into position with slot fitting under previously installed bolts.
- Step 4** Tighten all bolts and install remaining hex bolts & hex nuts throughout remaining alignment holes with 7/16" socket wrench.
- Step 5** Use a level to assure wall rack is level while securing to wall.



26.50" for 24.5" height
40.50" for 38.5" height
75.50" for 73.5" height

22.20" for 24.5" height
36.20" for 38.5" height
71.20" for 73.5" height

Mounting Locations

Secure through all holes.

Note: Wall-mount rack must be secured using all possible hex lag screws (G) provided to 3/4" plywood back-board secured to wall framing to assure load bearing capability. Lag screws are intended for mounting to wooden surface; for masonry surface, the installer must provide appropriate hardware.

CAUTION: Do not overload rack. UL approved racks can support up to 200 lb (90.7 kg) of equipment when properly installed to wall using all mounting holes.

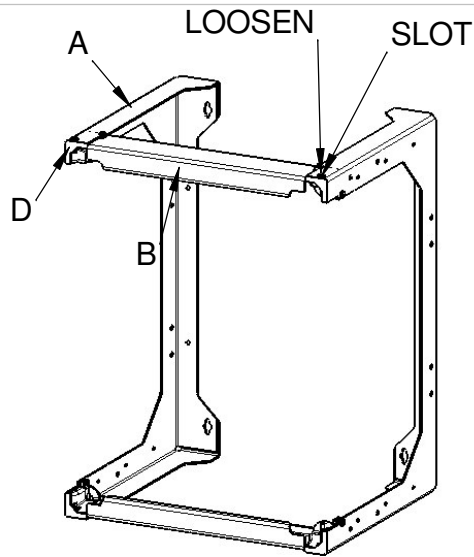
COMPONENTS

Item	Quantity	Component Description
A	4	Wall Attachment Brackets (Legs)
B	2	Cross Members
C	2	Mounting Channels
D	4	Corner Assembly Brackets
E	16	1/4" - 20 x 5/8 Hex Bolts
F	16	1/4" - 20 Hex Nuts
G	8	1/4" x 2" Hex Lag Screws (not shown)
H	50 pack	#12 - 24 Mounting Screws (not shown)

CPI CHATSWORTH PRODUCTS, INC.

**INSTALLATION INSTRUCTIONS
FIXED WALL-MOUNT
EQUIPMENT RACK**

THIS DRAWING CONTAINS INFORMATION PROPRIETARY TO CHATSWORTH PRODUCTS, INC. ANY REPRODUCTION DISCLOSURE OR USE OF THIS DRAWING IS EXPRESSLY FORBIDDEN EXCEPT AS AGREED TO IN WRITING BY CHATSWORTH PRODUCTS, INC.

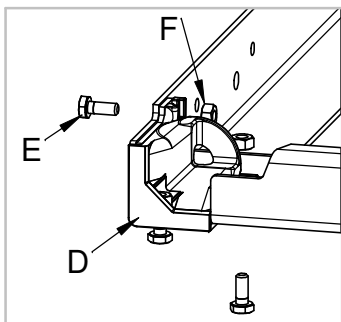


U/L APPROVED PART NUMBERS

11790-X12	11790-X18	11790-X25	11793-X12	11793-X18	11793-X25
11791-X12	11791-X18	11791-X25	11794-X12	11794-X18	11794-X25
11807-X12	11807-X18	11807-X25	11808-X12	11808-X18	11808-X25
11792-X12	11792-X18	11792-X25	11795-X12	11795-X18	11795-X25

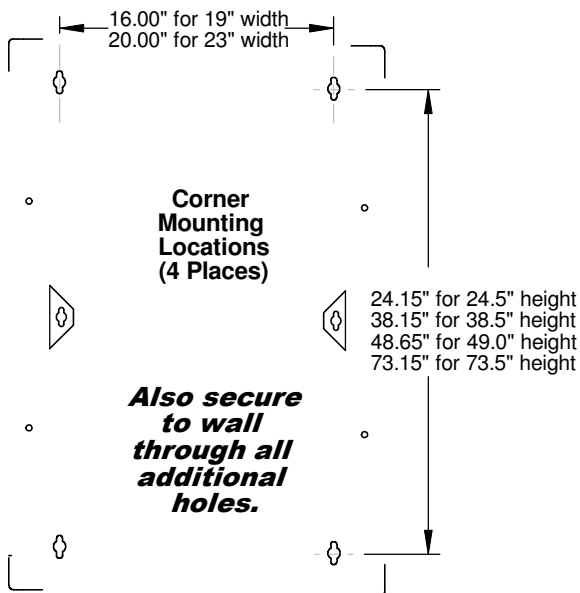
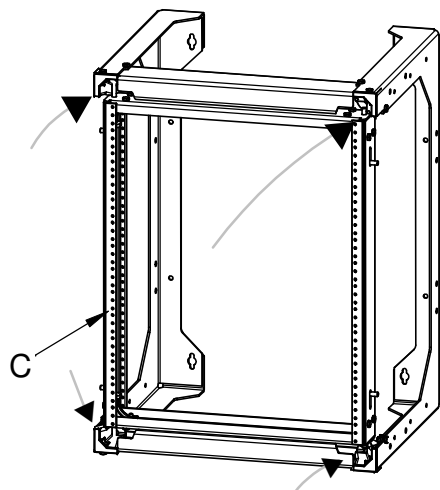
INSTRUCTIONS

- Step 1** Loosen hex bolt on pre-installed corner ramp (D) and wall attachment cross-member (B).
- Step 2** Slide legs (A) into position with slots fitting under previously loosened bolts.
- Step 3** Tighten all bolts and install remaining hex bolts and hex nuts through remaining alignment holes with a 7/16" socket wrench.
- Step 4** Use a level to assure wall rack is level while securing to wall.
- Step 5** Align lower pivot pins of mounting frame (C) into lower corner ramps. Retract upper pivot pins and secure in upper corner ramps.



COMPONENTS

Item	Quantity	Component Description
A	2	Wall Attachment Brackets (Legs)
B	2	Wall Attachment Cross-Members
C	1	Mounting Frame
D	4	Corner Assembly Ramps (pre-installed in cross-members)
E	16	1/4" - 20 x 5/8 Hex Bolts
F	16	1/4" - 20 Hex Nuts
G	8	1/4" x 2" Hex Lag Screws (not shown)
H	50 pack	#12 - 24 Mounting Screws



Note: Wall-mount rack must be secured using all possible hex lag screws (G) provided to 3/4" plywood back-board secured to wall framing to assure load bearing capability. Lag screws are intended for mounting to wooden surface; for masonry surface, the installer must provide appropriate hardware.

CAUTION: Do not overload rack. UL approved racks can support up to 100 lb (45.4 kg) of equipment in the open and closed position when properly installed using all mounting holes. Load capacity can be increased by using a Heavy Duty Swing Gate Kit (sold separately). Contact your distributor for more information.

CPI CHATSWORTH PRODUCTS, INC.

**INSTALLATION INSTRUCTIONS
STANDARD SWING GATE
WALL RACK**

THIS DRAWING CONTAINS INFORMATION PROPRIETARY TO CHATSWORTH PRODUCTS, INC. ANY REPRODUCTION DISCLOSURE OR USE OF THIS DRAWING IS EXPRESSLY FORBIDDEN EXCEPT AS AGREED TO IN WRITING BY CHATSWORTH PRODUCTS, INC.