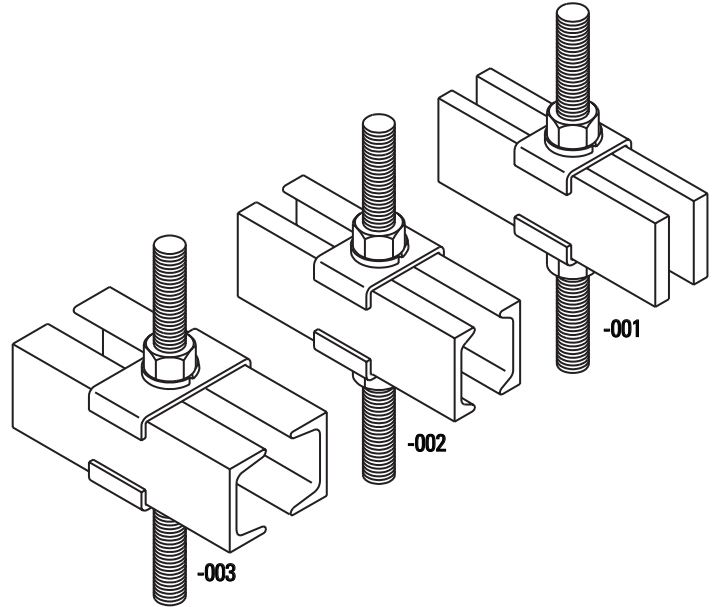


# Product Information Sheet

## FRAMING CLIP KIT

Creates a rigid connection between two adjacent grid or cable runway sections.

- Material is steel finished with gold over zinc plating.  
Kit consists of 2 brackets only
- Installation will require:
  - 1 each 5/8-11 or 1/2-13 threaded rod (of appropriate length)
  - 2 each 5/8-11 or 1/2-13 hex nuts
  - 2 each 5/8" or 1/2" split lock washers



Part Number	Description	Shipping Weight
<b>5/8" Bolt Size</b>		
10609-001	For 3/8" Bar	1 lb
10609-002	For 9/16" Channel	1 lb
10609-003	For 1" Channel	1 lb
<b>1/2" Bolt Size</b>		
10621-001	For 3/8" Bar	1 lb
10621-002	For 9/16" Channel	1 lb
10621-003	For 1" Channel	1 lb

800-834-4969 in US & Canada • [www.chatsworth.com](http://www.chatsworth.com)



CHATSWORTH PRODUCTS, INC.