

PARTS INCLUDED

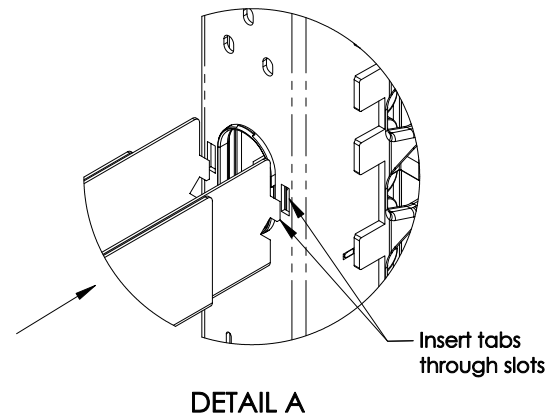
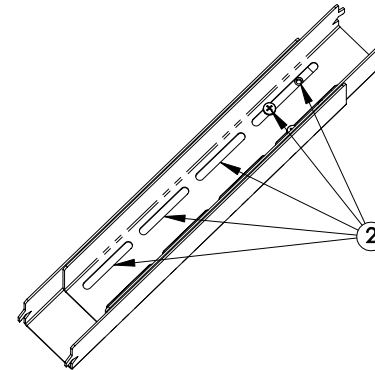
Front-to-Back Cable Manager, 2 each

TOOLS REQUIRED

#2 Phillips screw driver.

INSTALLATION

1. The vertical cable managers (13171-XXX) must be installed first, with the backs facing each other, see callout 1. The distance between the managers can be from 12.3" to 22.25".
2. Set the length of the front-to-back manager so that it fits between the two vertical managers. Loosen the two screws and slide the inner member to the proper length. It may be necessary to remove the screws and reinstall them after the desired length has been achieved. See callout 2. Leave screws loose.
3. Position the manager between the vertical managers. Extend the manager so that the angled end tabs protrude through the rectangular slots adjacent to the cable pass through holes on the vertical manager. Be sure that the ends of the manager butt against the vertical manager. Tighten the screws. See detail A.



800-834-4969 techsupport@chatsworth.com www.chatsworth.com

INSTALLATION INSTRUCTIONS, FRONT-TO-BACK CABLE MANAGER

THIS DRAWING CONTAINS INFORMATION PROPRIETARY TO CHATSWORTH PRODUCTS, INC. ANY REPRODUCTION DISCLOSURE OR USE OF THIS DRAWING IS EXPRESSLY FORBIDDEN EXCEPT AS AGREED TO IN WRITING BY CHATSWORTH PRODUCTS, INC.