

F-SERIES TERAFRAME® CABINET SYSTEM

31.5"W (800 mm) Cabinets

KEY FEATURES

- Distinct and attractive styling sets the F-Series TeraFrame apart from other cabinets.
- Highly flexible design with 612 frame sizes and infinite standard configurations. Choose from a variety of thermal, cable and power management accessories to match your exact needs using CPI's Product Configurator at www.chatsworth.com/configurator.
- Use CPI Passive Cooling® Solutions to support a broad range of equipment heat loads. Overcome high-density applications with the Vertical Exhaust Duct.
- Choose from several styles of top panels, side panels and doors to match your security and thermal management requirements. Top panels have large brush sealed cable openings; doors and side panels are locking with solid or perforated (mesh panels).
- Numerous standard latching and locking options are available, including electronic keypad access.
- Includes two pairs of sliding, continuously adjustable mounting rails to provide critical front and rear support for 19" wide (482.6 mm) rack-mount equipment including all major brands of server and data storage equipment that are EIA-310-D compliant.

APPLICATIONS

- The next generation F-Series TeraFrame® Cabinet System is a highly configurable equipment storage cabinet that organizes, stores and secures computer, data storage and network equipment in the data center, computer room or network environment.

USE WITH

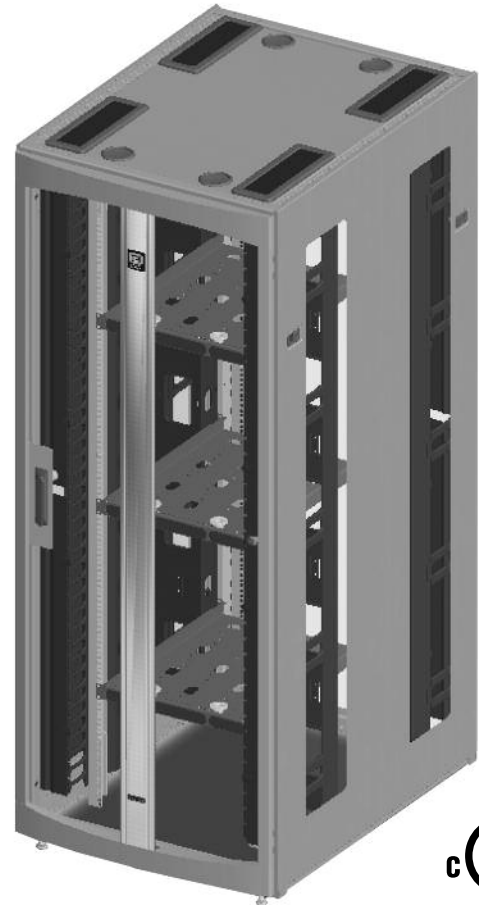
- Air Dam Kit
- Vertical Cable Managers
- Vertical Power Managers
- Airflow Director
- Vertical Exhaust Duct

RELATED ACCESSORIES

- Snap-In Filler Panels
- Rack-Mount Shelves
- Vertical Power Strips and PDUs
- Electronic Locking System
- Remote Infrastructure Management (RIM-600) System

Custom Configure

Select thermal and cable management to match your exact needs



CPI's next generation F-Series TeraFrame® Cabinet System has enhanced features that easily adapt to changing requirements and lets you configure a personalized solution that is delivered quickly to meet your busy schedule.

The F-Series TeraFrame organizes, stores and secures computer, data storage and network equipment in the data center, computer room or network environment. Every cabinet includes two pairs of adjustable depth equipment mounting rails that slide front-to-rear to provide critical front and rear support for equipment. Square-punched EIA-310-D compliant equipment mounting rails (the industry standard) guarantee compatibility with most rack-mount equipment. Plus, each rack-mount unit (U) is marked and numbered on all mounting rails making it easy to locate and attach equipment.

The top panel has large brush-covered cable openings that will handle large bundles of cables while preventing undesirable hot air re-circulation. Upgrade to the Vertical Exhaust Duct as cabinet heat loads increase. Side panels have recessed, locking, spring-loaded latches and can be easily removed from the outside to access equipment. Cabinets can be bayed with side panels installed or uninstalled. Doors and side panels are either solid or perforated (mesh). Mounting rails, top panel, side panels and doors are electrically bonded to the cabinet frame. Doors feature a swing handle for better security. There are seven latch styles to choose from.

Combine the F-Series TeraFrame with thermal and cable management accessories to create a custom solution that fits your exact needs. See inside for product details. Contact CPI Technical Support or visit the CPI Website (www.chatsworth.com/configurator) for configuration assistance.



ORDERING INFORMATION

Use the part number configurator below to create a custom F-Series TeraFrame. Choose the **Height**, **Width**, **Depth**, **Rail Style**, **Front Door**, **Rear Door**, **Latch**, **Color**, **Top Panel Style** and **Side Panel Style**. *Example part number: FF3J-112A-C42*

F	H	W	D	-	R	FD	RD	L	-	C	TP	SP
----------	----------	----------	----------	----------	----------	-----------	-----------	----------	----------	----------	-----------	-----------

1. Height					
Cabinet		Frame		Rail	
in.	mm.	in.	mm.	U	A
46.8	1189	46.6	1184	24	A
67.8	1722	67.6	1717	36	B
78.3	1989	78.1	1984	42	C
80.0	2032	79.9	2029	43	D
81.8	2078	81.6	2073	44	E
83.5	2121	83.4	2118	45	F
85.3	2167	85.1	2162	46	G
87.0	2210	86.9	2207	47	H
88.8	2256	88.6	2250	48	J
90.5	2299	90.4	2296	49	K
92.3	2344	92.1	2339	50	L
94.0	2388	93.9	2385	51	M

2. Width					
Cabinet		Rail		Frame	
in	mm	EIA	in	mm	
31.5	800	19"	31.3	794	3

Vertical Exhaust Duct	3. Depth						
	Cabinet		Rail		Frame		
	in	mm	in	mm	in	mm	
	35.3	897	28.6	726	31.5	800	A
	36.3	922	29.6	751	32.5	825	B
	37.3	947	30.6	776	33.5	850	C
	38.2	972	31.5	801	34.4	875	D
	39.2	997	32.5	826	35.4	900	E
	40.2	1022	33.5	851	36.4	925	F
	41.2	1047	34.5	876	37.4	950	G
	42.2	1072	35.5	901	38.4	975	H
	43.2	1097	36.5	926	39.4	1000	J
	44.2	1122	37.4	951	40.4	1025	K
	45.1	1147	38.4	976	41.3	1050	L
	46.1	1172	39.4	1001	42.3	1075	M
	47.1	1197	40.4	1026	43.3	1100	N
	48.1	1222	41.4	1051	44.3	1125	P
	49.1	1247	42.4	1076	45.3	1150	R
	50.1	1272	43.3	1101	46.3	1175	T
	51.0	1297	44.3	1126	47.2	1200	U

Note: See the worksheet at the bottom of page 5 to determine cabinet depth.

10. Side Panel Style ²	
0	None
1	Solid, 1 each
2	Solid, 2 each
3	Vented, 1 each
4	Vented, 2 each

9. Top Panel Style ¹	
0	None
2	Network, 4 Cable Openings
4	Server, 2 Cable Openings
5	Vertical Exhaust Duct System, 20"-34"H (508 mm - 863 mm)
6	Vertical Exhaust Duct System, 34"-60"H (863 mm - 1523 mm)

Note: Use options 5 and 6 on 41.3"D (1050 mm) to 47.2"D (1200 mm) cabinet frames with perforated front door, solid side panels and solid rear door.

8. Color	
C	Black
D	Signature Blue
E	Glacier White
F	Steel Gray

7. Latches (Door) ³	
A	Single-Point, Slam Latch, Keyed Lock
B	Single-Point, Cam Latch, Keyed Lock
C	Two-Point, Cam Latch, Keyed Lock
D	Single-Point, Cam Latch, Combination Lock
E	Two-Point, Cam Latch, Combination Lock
F	Single-Point, Electronic Keypad Lock
K	Single-Point, Slam Latch, Combination Lock
N	None (Use only when NO DOORS are selected)

6. Rear Door ²	
0	None
1	Single, Solid Metal
2	Single, Perforated Metal
3	Double, Perforated Metal

Note: Double door requires a two-point latch (C) or (E), see latches above.

5. Front Door ²	
0	None
1	Single, Perforated Metal
2	Single, Solid Lexan®
3	Single, Solid Metal

4. Rail Style ¹	
1	Square-Punched, 2 Pair
2	Tapped, #12-24, 2 Pair

Notes:

- Square-punched rails are preferred with rack-mount computer server and data storage equipment because the rails use snap-in cage nut hardware that can be changed to match equipment requirements.
- Combine perforated doors with solid side panels for front-to-back airflow in support of hot aisle/cold aisle layouts. Use solid doors and perforated side panels for side-to-side airflow required by some network switches. Use a perforated front door, solid rear door and solid side panels with Vertical Exhaust Duct System for maximum cooling effect.
- All doors have swing handles and require a latch. Typically, the front and the rear door have the same latch. However, if you select a double rear door and a single-point latch, the double door will have the two-point cam latch (C) or (E) with the same type of lock as the front door. Also, on the electronic keypad lock (F), the keypad is integrated into the swing handle on the front door, but controls both the front and rear door latches. Slam latch engages when the door is pushed closed. Cam latch requires the handle to be turned to secure the door. Combination lock has a programmable three-digit combination and is opened with three dials on the handle or with a key. The electronic keypad requires a power connection, can be programmed with five combinations and is opened by entering the programmed access code on a nine-digit keypad on the front door handle. The electronic keypad cannot be used with double doors, does not keep a data log of access attempts and does not have a network connection. A networkable Electronic Locking Systems (ELS) is available as an accessory.
- There are three styles of top panel. Server top panels have two large cable openings. Server top panels on cabinet frames that are 41.3" (1050 mm) deep or deeper have a knockout for the Vertical Exhaust Duct. Network top panels have four large cable openings. Vertical Exhaust Duct System is only available for cabinet frames that are 41.3"D (1050 mm) to 47.2"D (1200 mm). The system includes a top-mount Vertical Exhaust Duct, a Server Top Panel, an Airflow Director and a Rear Door Sealing Kit. Select from two duct height ranges: 20"-34" (508 mm - 863 mm) or 34"-60"H (863 mm - 1523 mm). Use with a solid rear door. See details on page 4.

Standard F-Series TeraFrame Cabinets that include any combination of the UL Listed accessories included on this datasheet are UL Listed under the NWIN (Information Technology and Communications Equipment) category per the UL60950 Standard, UL file number E227626.

SPECIFICATIONS

- Freestanding equipment cabinet provides front and rear support for 19"W (482.6 mm) EIA rack-mount equipment and shelves
- For indoor use only, in environmentally controlled areas; not harsh environments or in air-handling spaces
- Includes:
 - Welded steel and bolted aluminum four-post frame
 - Equipment mounting rails, two pairs
 - Leveling Feet
 - Factory installed grounding/bonding system
 - Equipment mounting hardware
 - PDU Brackets, one pair, for mounting two vertical CPI PDUs
- Equipment space:
See Height, Width and Depth tables under Ordering Information
- Doors/latches:
 - Order with cabinet or as a service part
 - Front door is curved, rear door is flat
 - Door panel/insert is perforated (79% open), solid metal or tinted Lexan®
 - Locking with choice of latch and lock
 - Easy to remove at 90° open position
 - Reversible to open from the right or left
 - Front door opens 150° when bayed
 - Rear door opens 175° when bayed
- Side panels:
 - Order with cabinet or as a service part
 - Solid or vented panels with two recessed locking spring-loaded latches
- Top panels:
 - Network Top Panel has four 3" x 11.75" (76 mm x 292 mm) brush sealed openings and four 3" (76 mm) diameter cable openings with grommets, one each per corner.
 - Server Top Panel has two 3" x 11.75" (76 mm x 292 mm) brush sealed openings and two 3" (76 mm) diameter cable knockouts, one per corner. Order a pair of grommets (P/N 35021-000) separately to protect cables that will pass through the 3" (76 mm) diameter cable knockouts. The brush sealed openings can be located over the front or rear corners of the cabinet. Server Top Panels for cabinet frames that are 41.3"D (1050 mm) or deeper have an additional large, rectangular knockout for the Vertical Exhaust Duct and can be upgraded with a Vertical Exhaust Duct.
 - Vertical Exhaust Duct System includes a Server Top Panel. When the duct is used, the brush-sealed cable openings are positioned over the front corners of the cabinet and the 3" (76 mm) diameter cable knockouts cannot be used.
- Equipment support:
 - Two pairs of equipment mounting rails in the cabinet
 - 1-3/4" (44.45 mm) rack-mount unit, marked and numbered bottom-to-top on all rails
 - 19"W, EIA-310-D Universal 5/8" - 5/8" - 1/2" (15.9 mm - 15.9 mm - 12.7 mm) vertical hole spacing
 - Threaded or square-punched holes; square-punched holes accept cage nuts
 - Adjustable depth, slide front-to-rear; depth marks on frame for easy alignment
 - Includes 50 each #12-24 screws with threaded rails or 25 each M6 cage nuts and screws with square-punched rails
- Load capacity: 2500 lb (1134.0 kg)
- Grounding/Bonding: Mounting rails, top panel, side panels and doors are electrically bonded to the cabinet frame; a Ground Terminal Block is included to attach the frame to ground
- PDU Brackets
 - One pair of brackets and installation hardware
 - Attaches to the frame corner posts, 5.75"W (146 mm), requires a minimum 67" (170 mm) equipment mounting rail setback
 - Use with CPI vertical PDUs or Power Strips for cabinets that are 68.5"H (1740 mm) or 70.5"H (1791 mm) with tool-less attachments points located 64.75" (1645 mm) or 61.25" (1556 mm) apart
 - Supports two 2.4"W (51 mm) or narrower PDUs side-by-side
- Certifications: EIA-310-D compliant; UL Listed 60950
- Material: Steel and aluminum extrusion
- Construction: Welded/bolted frame, mounting rails bolt to frame
- Finish: Epoxy-polyester hybrid powder coat in Black, Signature Blue, Glacier White or Steel Gray

SERVICE PARTS

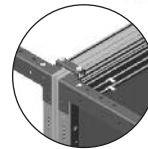
Service parts include mounting rails, top panels, side panels, doors and door latches and are used as replacement parts to upgrade cabinets as applications change.

When ordering service parts for your F-Series TeraFrame™ Cabinet, it is necessary to identify whether the frame construction is First Generation (Gen 1) or Second Generation (Gen 2) as not all components are designed to fit both. A TeraFrame Cabinet Frame Construction Guide can be found at www.chatsworth.com/teraframe or contact CPI Technical Support at 800-834-4969 or techsupport@chatsworth.com for additional assistance.

INSTALLATION PRODUCTS



P/N 12637-001
P/N 12638-001
P/N 12639-001



P/N 35079-X02



P/N 35051-C01

Part Number	Description	Shipping Weight
Mounting Hardware, UL Listed		
40605-001	Screws, #12-24, 50 pk., Zinc	1 lb (0.5 kg)
40605-005	Screws, #12-24, 50 pk., Black	1 lb (0.5 kg)
12637-001	Cage Nuts, M6, 25 pk., Gold	1 lb (0.5 kg)
12638-001	Cage Nuts, #10-32, 25 pk., Zinc	1 lb (0.5 kg)
12639-001	Cage Nuts, #12-24, 25 pk., Black	1 lb (0.5 kg)
Baying Kit		
35078-001	Zero Spacing, (4) screws/washers/nuts	1 lb (0.5 kg)
35079-X02	Narrow Baying Brackets, (2)	1 lb (0.5 kg)
Floor Anchor Kits		
34587-001	Floor Anchor Brackets, Set of 4	4 lb (1.8 kg)
40604-003	Installation Kit, Concrete Slab	1 lb (0.5 kg)
Caster Kit		
35051-C01	Set of 4 Casters	21 lb (9.5 kg)
Grommets for Server Top Panel		
35021-000	3" (80 mm) Diameter Grommets, 1 Pair, Black	1 lb (0.5 kg)
Accessories		
35058-001	Hardware, M8 Drop-In Nut with Bolts	3 lb (1.4 kg)
34434-C01	Power Strip Bracket Kit	5 lb (2.3 kg)

x=color. C=Black, D=Signature Blue, E=Glacier White, F=Steel Gray

THERMAL MANAGEMENT

Thermal management is one of the greatest challenges in the data center today. The F-Series TeraFrame equipped with CPI Passive Cooling® Solutions helps you use the cold air you have more effectively by directing it through equipment where it is needed most. Combine perforated front and rear doors and solid side panels with an Air Dam Kit or Internal Air Duct and Snap-In Filler Panels for maximum effect in a hot aisle/cold aisle layout. Go beyond hot aisle/cold aisle with a solid rear door, Air Dam Kit and Vertical Exhaust Duct for high heat density loads. CPI Passive Cooling Solutions work in slab and access floor environments.



P/N 34370-XXX

Vertical Exhaust Duct

Guides hot exhaust air away from the cabinet to a drop ceiling plenum or overhead ductwork. The duct attaches to the top of 41.3"D (1050 mm) to 47.2"D (1200 mm) cabinets that have a Server Top Panel with a field removable knockout for the duct. The duct telescopes to match ceiling height and has gaskets along the top edge to create a seal around the opening in the drop ceiling.

Part Number	Description	Shipping Weight
34370-X02	Vertical Exhaust Duct, 20"-34"H (508 mm - 863 mm), Black	32 lb (14.5 kg)
34370-X03	Vertical Exhaust Duct, 34"-60"H (863 mm - 1523 mm), Black	52 lb (23.6 kg)

X=Color: C=Black, D=Signature Blue, E=Glacier White, F=Steel Gray. Included with cabinets that have a Vertical Exhaust Duct System top panel.



P/N 34570-C00

Airflow Director

Airflow Director is placed at the bottom, rear of the cabinet to cause hot server exhaust air to flow upward from the base of the cabinet to the top of the cabinet. Used with the Vertical Exhaust Duct when equipment is placed near the bottom of the cabinet.

Part Number	Description	Shipping Weight
34570-C00	Airflow Director, Black	7 lb (3.2 kg)

Included with cabinets that have a Vertical Exhaust Duct System top panel.

Rear Door Sealing Kit

The Rear Door Sealing Kit seals the space between the rear door and the cabinet frame so hot air does not escape between the door and the cabinet. Used with a Solid Metal Rear Door and the Vertical Exhaust Duct to encourage upward airflow toward the duct.

Part Number	Description	Shipping Weight
34573-001	Rear Door Sealing Kit, Black	4 lb (1.8 kg)

Included with cabinets that have a Vertical Exhaust Duct System top panel.

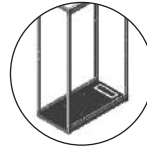


Air Dam Kit

Use with Snap-In Filler Panels to block airflow around the top, bottom and sides of equipment. Requires a front rail setback of 1.7" (43 mm). UL Listed.

Part Number	Description	Shipping Weight
34523-X02	For 42U Cabinets	17 lb (7.7 kg)
34523-X03	For 43U Cabinets	17 lb (7.7 kg)
34523-X04	For 44U Cabinets	17 lb (7.7 kg)
34523-X05	For 45U Cabinets	18 lb (8.2 kg)
34523-X06	For 46U Cabinets	18 lb (8.2 kg)
34523-X07	For 47U Cabinets	18 lb (8.2 kg)
34523-X08	For 48U Cabinets	18 lb (8.2 kg)
34523-X09	For 49U Cabinets	19 lb (8.6 kg)
34523-X10	For 50U Cabinets	19 lb (8.6 kg)
34523-X11	For 51U Cabinets	19 lb (8.6 kg)

X=Color: C=Black, D=Signature Blue, E=Glacier White, F=Steel Gray. Not available for 24U and 36U cabinets.



Bottom Panel Kit

The bottom panel covers the bottom of the Gen 2 F-Series TeraFrame Cabinet to block airflow into and out of the base of the cabinet. The three-piece panel includes one brush-sealed 3" x 11.75" (76 mm x 292 mm) cable access port that can be positioned near the front or rear of the cabinet. Use it when cabinets are supported on leveling feet or casters (elevated above the floor).

Part Number	Description	Shipping Weight
35085-X34	For 31.5"D (800 mm) Frames	19 lb (8.6 kg)
35085-X35	For 32.5"D (825 mm) Frames	19 lb (8.6 kg)
35085-X36	For 33.5"D (850 mm) Frames	20 lb (9.1 kg)
35085-X37	For 34.4"D (875 mm) Frames	20 lb (9.1 kg)
35085-X38	For 35.4"D (900 mm) Frames	21 lb (9.5 kg)
35085-X39	For 36.4"D (925 mm) Frames	21 lb (9.5 kg)
35085-X40	For 37.4"D (950 mm) Frames	21 lb (9.5 kg)
35085-X41	For 38.4"D (975 mm) Frames	22 lb (10.0 kg)
35085-X42	For 39.4"D (1000 mm) Frames	22 lb (10.0 kg)
35085-X43	For 40.4"D (1025 mm) Frames	23 lb (10.4 kg)
35085-X44	For 41.3"D (1050 mm) Frames	23 lb (10.4 kg)
35085-X45	For 42.3"D (1075 mm) Frames	23 lb (10.4 kg)
35085-X46	For 43.3"D (1100 mm) Frames	24 lb (10.9 kg)
35085-X47	For 44.3"D (1125 mm) Frames	24 lb (10.9 kg)
35085-X48	For 45.3"D (1150 mm) Frames	25 lb (11.3 kg)
35085-X49	For 46.3"D (1175 mm) Frames	25 lb (11.3 kg)
35085-X50	For 47.2"D (1200 mm) Frames	25 lb (11.3 kg)

X=Color: C=Black, D=Signature Blue, E=Glacier White, F=Steel Gray.



Seal Kit

The Seal Kit includes EDPM rubber tubing with edge trim that seals the sides of bayed cabinets when one or both side panels are omitted to help prevent hot exhaust air from escaping through the spaces between bayed cabinets. Four kits are available to match different cabinet baying configurations.

Part Number	Description	Shipping Weight
35081-000	Use with Zero Spacing Baying Kit (P/N 3578-001) when there is one or no side panels	3 lb (1.4 kg)
35081-003	Use with Narrow Baying Brackets (P/N 35079-X02) when there is one or no side panels between cabinets	5 lb (2.3 kg)



Snap-In Filler Panel

Panels block airflow through open spaces between equipment to help keep hot air at the back of the cabinet. Snap-In Filler Panels fit square-punched equipment mounting rails. UL Listed.

Part Number	Description	Shipping Weight
34537-000	19"W x 1U, Black	1 lb (0.5 kg)
34538-000	19"W x 2U, Black	2 lb (0.9 kg)
34537-001	19"W x 1U, Black, 6 Each	4 lb (1.8 kg)
34538-001	19"W x 2U, Black, 6 Each	4 lb (1.8 kg)

DIMENSIONS

See Height, Width and Depth tables under Ordering Information on page 2.

Notes:

1. Cabinet Height, Width and Depth include top panel, side panels and doors.
2. Frame Height, Width and Depth do not include top panel, side panels and doors.
3. Rail Height is the number of rack-mount units (U) on the mounting rails.
4. Rail Width is the rack-mount width of the included equipment mounting rails.
5. Rail Depth is the maximum rail-to-rail depth within the cabinet.
6. Rails must be setback when accessories are added. This will reduce rail-to-rail depth. See the worksheet below to determine cabinet depth or use the online CPI Product Configurator at www.chatsworth.com/configurator.

Determine Cabinet Depth

Fill in the worksheet below to determine the required minimum depth of your cabinet/frame.

1. Determine what equipment and accessories you will use in the cabinet.
2. List the **Depth** of the deepest piece of equipment in the cabinet.

3. List the deepest **Rail Setback** at front of cabinet (see the table below).

4. List the deepest **Rail Setback** at rear of cabinet (see the table below).

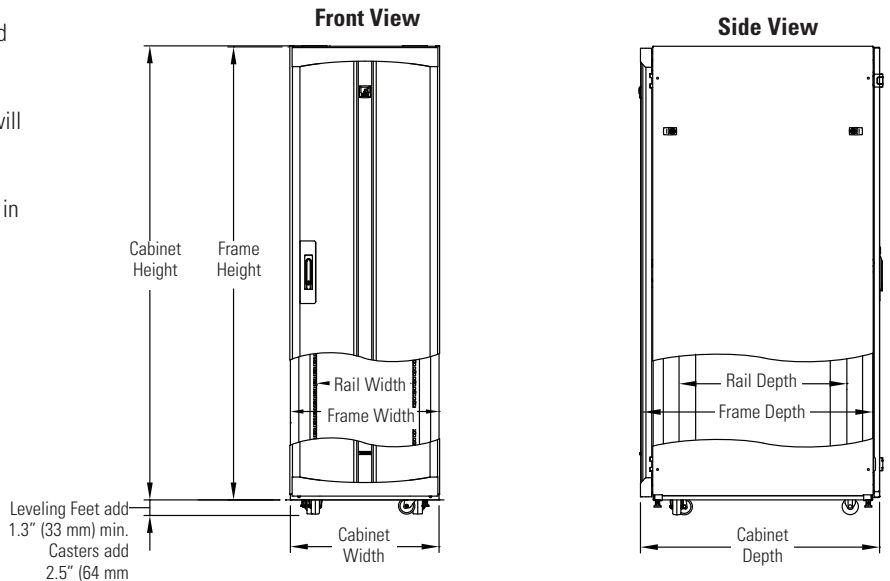
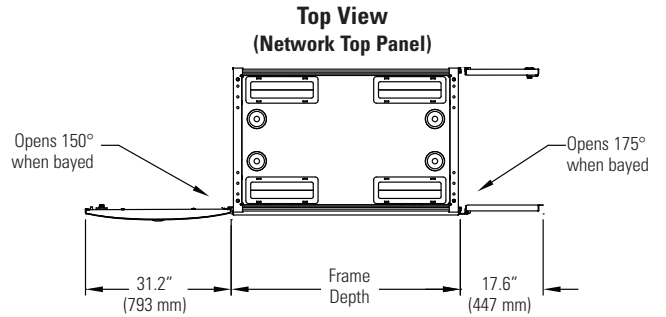
5. Add the values above.

6. Select a cabinet from the ordering table on page 2 that has a **Rail Depth** equal to or greater than the result.

Required Mounting Rail Setbacks for F-Series TeraFrame® Accessories		
Accessory	Location	Rail Setback
Air Dam Kit	Front	1.7" (43 mm)
Airflow Director	Rear	8.7" (221 mm)
Vertical Cable Manager w/Short Fingers	Front/Rear	4.5" (114 mm)
Vertical Cable Manager w/Long Fingers	Front/Rear	7" (178 mm)
Dual Vertical Power Strip Manager	Rear	6.3" (160 mm)
Quad Vertical Power Strip Manager	Rear	8.7" (221 mm)
Narrow Vertical Power Cord Manager	Rear	6" (152 mm)
Wide Vertical Power Cord Manager	Rear	11" (279 mm)
Power Strip Lashing Bracket	Rear	8.5" (216 mm)
Cable Lashing Bracket	Rear	5" (127 mm)
Vertical Cable Ring Manager w/Small Rings	Front/Rear	4.8" (122 mm)
Vertical Cable Ring Manager w/Large Rings	Front/Rear	7.3" (185 mm)

Notes:

1. Vertical Cable Managers cannot be used in the front of the cabinet when Air Dam Kit is used in the front of the cabinet.
2. When a Vertical Cable Manager is used with Airflow Director or Quad Vertical Power Strip Manager in a cabinet with installed side panels, the frame must be a minimum of 34.4"D (875 mm).
3. When a Vertical Cable Manager is used with Wide Vertical Power Cord Manager in a cabinet with installed side panels, the frame must be a minimum of 39.4"D (1000 mm).
4. Vertical Exhaust Duct System includes an Airflow Director.



CABLE MANAGEMENT ACCESSORIES:



Vertical Cable Ring Manager

Vertical Cable Ring Managers attach to the side of the equipment mounting rails and feature plastic C-shaped cable management rings to guide and manage network cables, signal cables and patch and equipment cords. Each manager includes two half-height mounting brackets with cable rings. Small cable rings are 1.5"W x 4.2"D (38 mm x 107 mm), have an interior area of 2.9 in² (1870 mm²) and require a 4.8" (122 mm) rail setback. Large cable rings are 3.3"W x 6.5"D (84 mm x 165 mm), have an interior area of 12.8 in² (8130 mm²) and require a 7.3" (185 mm) rail setback.

Estimated Capacity (50% fill)			
Size	Cat 5e	Cat 6	Cat 6a
Small	23	14	10
Large	101	64	45

Small Rings	Large Rings	Description	Shipping Weight
35100-C01	35101-C01	For 36U Cabinet, Black	11 lb (5.0 kg)
35100-C02	35101-C02	For 42U Cabinet, Black	11 lb (5.0 kg)
35100-C03	35101-C03	For 43U & 44U Cabinet, Black	11 lb (5.0 kg)
35100-C05	35101-C05	For 45U & 46U Cabinet, Black	11 lb (5.0 kg)
35100-C07	35101-C07	For 47U & 48U Cabinet, Black	12 lb (5.4 kg)
35100-C09	35101-C09	For 49U & 50U Cabinet, Black	12 lb (5.4 kg)
35100-C11	35101-C11	For 51U Cabinet, Black	12 lb (5.4 kg)

Note: Not available for 24U cabinets. The 36U manager includes six rings (three per bracket), the 51U manager includes ten rings (five per bracket), and all other managers include eight rings (four per bracket). Shipping weights are for managers with large rings.

CABLE MANAGEMENT

Organizing cables is critical to maintaining equipment because organized cables can be easily traced during a move, add or change and do not block airflow through equipment. The F-Series TeraFrame has specialized network and power cable managers that keep power and network cables separated. The Vertical Cable Manager features patented T-shaped cable guides and openings that align with each rack-mount unit on the cabinet's equipment mounting rail. The Vertical Power Manager creates a space for one, two or four CPI power strips and has tie points for power cords.



Vertical Cable Manager

The Vertical Cable Manager stores and organizes cables inside the cabinet in the Zero U space between the cabinet's side panel and the equipment mounting rails. The manager attaches to an equipment mounting rail with included hardware or use the Slide Adapter Kit (below) to attach the manager directly to the cabinet frame. Openings at the rear of the manager allow cables to exit behind the equipment mounting rail to make connections. Plastic T-shaped cable management fingers guide cables into each rack-mount unit. Openings between fingers align with each rack-mount space in the cabinet. Standard and extended fingers are available. The cable manager with standard fingers is 5.0"W x 11.6"D (127 mm x 295 mm), has an interior area of 46 in² (.03 m²) and requires a minimum rail setback of 4.5" (115 mm). The cable manager with extended fingers is 5.0"W x 14.1"D (127 mm x 358 mm), has an interior area of 58 in² (.03 m²) and requires a minimum rail setback of 7" (178 mm). UL Listed.

Estimated Cable Fill (50% fill)		
Cat 5e	Cat 6	Cat 6a
Short Fingers		
370	234	164
Long Fingers		
467	295	207

Part Number		Description	Shipping Weight ¹
Short Fingers	Long Fingers		
35095-C00	35103-C00	For 24U Cabinets, Black	15 lb (6.8 kg)
35095-C01	35103-C01	For 36U Cabinets, Black	19 lb (8.6 kg)
35095-C02	35103-C02	For 42U Cabinets, Black	21 lb (9.5 kg)
35095-C03	35103-C03	For 43U Cabinets, Black	22 lb (10.0 kg)
35095-C04	35103-C04	For 44U Cabinets, Black	22 lb (10.0 kg)
35095-C05	35103-C05	For 45U Cabinets, Black	22 lb (10.0 kg)
35095-C06	35103-C06	For 46U Cabinets, Black	23 lb (10.4 kg)
35095-C07	35103-C07	For 47U Cabinets, Black	23 lb (10.4 kg)
35095-C08	35103-C08	For 48U Cabinets, Black	23 lb (10.4 kg)
35095-C09	35103-C09	For 49U Cabinets, Black	24 lb (10.9 kg)
35095-C10	35103-C10	For 50U Cabinets, Black	24 lb (10.9 kg)
35095-C11	35103-C11	For 51U Cabinets, Black	24 lb (10.9 kg)

Note: When used with side panels, maximum rail setback is half of the frame depth minus 8.4" (213 mm). Shipping weights are for Vertical Cable Managers with Extended Fingers.

Front-to-Back Cable Managers

Adjustable trays connect a front-facing and a rear facing Vertical Cable Manager to create a front-to-back cable pathway along the side of the cabinet. The Front-to-Back Cable Managers are 2.4"W x 2.5"H (61 mm x 64 mm), and have an interior area of 4.6 in² (2970 mm²). Two depths are available. The large manager extends 10" (250 mm) to 17" (430 mm) deep. Use the large manager when Vertical Cable Managers are attached to rails that are spaced 26" (660 mm) to 33" (840 mm) apart. The small manager extends 6" (150 mm) to 10" deep. Use the small managers when Vertical Cable managers are attached to rails that are spaced 22" (560 mm) to 26" (660 mm) apart. Sold in pairs.



Estimated Cable Fill (50% fill)		
Cat 5e	Cat 6	Cat 6a
112	71	50

Part Number	Description	Shipping Weight
35108-C01	Large, Extends 10"-17" (250 - 430 mm) Deep, Black	4 lb (1.9 kg)
35108-C02	Small, Extends 6"-10" (150 - 250 mm) Deep, Black	4 lb (1.9 kg)



Power Strip Lashing Bracket

The Power Strip Lashing Bracket supports one 3.5"W (89 mm) or two 2.3"W (58 mm) or narrower CPI Vertical Power Strips/PDUs for Cabinets and provides attachment points for power cable bundles. The Power Strip Lashing Bracket attaches to the cabinet frame behind the rear equipment mounting rails and adjusts in depth to match equipment requirements. The manager is S-shaped, 8.375"W x 1.7"D (213 mm x 42 mm) and requires a minimum 5" (127 mm) rail setback, but an 8.5" (216 mm) rail setback is recommended for easy access to power cable bundles.

Part Number	Description	Shipping Weight
35086-C01	For 36U Cabinets, Black	14 lb (6.4 kg)
35086-C02	For 42U Cabinets, Black	14 lb (6.4 kg)
35086-C03	For 43U Cabinets, Black	15 lb (6.8 kg)
35086-C04	For 44U Cabinets, Black	15 lb (6.8 kg)
35086-C05	For 45U Cabinets, Black	15 lb (6.8 kg)
35086-C06	For 46U Cabinets, Black	15 lb (6.8 kg)
35086-C07	For 47U Cabinets, Black	16 lb (7.3 kg)
35086-C08	For 48U Cabinets, Black	16 lb (7.3 kg)
35086-C09	For 49U Cabinets, Black	16 lb (7.3 kg)
35086-C10	For 50U Cabinets, Black	16 lb (7.3 kg)
35086-C11	For 51U Cabinets, Black	17 lb (7.7 kg)

Note: Not available for 24U cabinets. (-C01) bracket only compatible with 38.5"H (978 mm) power strip. Minimum (-C03) bracket required for 68.5"H (1740 mm) PDU. Minimum (-C04) bracket required for 70.5"H (1791 mm) PDU.

Cable Lashing Bracket

The Cable Lashing Bracket provides attachment points for fastening cable bundles. Quickly secure cable bundles to the bracket using CPI's Saf-T-Grip® Reusable Cable Straps or other cable ties. The Cable Lashing Bracket attaches to the cabinet frame and adjusts in depth to match equipment requirements. The manager is C-shaped, 5.125"W x .7"D (130 mm x 17 mm) and requires a minimum 5" (127 mm) equipment mounting rail setback when positioned behind the rear equipment mounting rails.

Part Number	Description	Shipping Weight
35087-C00	For 24U Cabinets, Black	8 lb (3.6 kg)
35087-C01	For 36U Cabinets, Black	11 lb (5.0 kg)
35087-C02	For 42U Cabinets, Black	12 lb (5.4 kg)
35087-C03	For 43U Cabinets, Black	13 lb (5.9 kg)
35087-C04	For 44U Cabinets, Black	13 lb (5.9 kg)
35087-C05	For 45U Cabinets, Black	13 lb (5.9 kg)
35087-C06	For 46U Cabinets, Black	14 lb (6.4 kg)
35087-C07	For 47U Cabinets, Black	14 lb (6.4 kg)
35087-C08	For 48U Cabinets, Black	15 lb (6.8 kg)
35087-C09	For 49U Cabinets, Black	15 lb (6.8 kg)
35087-C10	For 50U Cabinets, Black	15 lb (6.8 kg)
35087-C11	For 51U Cabinets, Black	15 lb (6.8 kg)

Note: Not available for 24U cabinets.

Slide Adapter Kit

Use the Slide Adapter Kit to attach the Vertical Cable Manager to the cabinet frame instead of the equipment mounting rail allowing the manager to be adjusted front-to-rear within the cabinet independent of the equipment mounting rail.

Part Number	Description	Shipping Weight
35092-X02	For 800 mm Vertical Cable Mgrs	2 lb (0.9 kg)

