

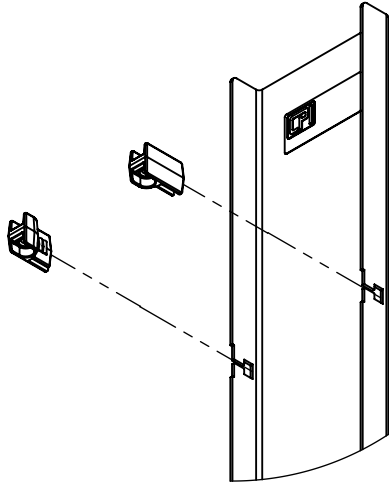
**CPI** CHATSWORTH PRODUCTS, INC.

INSTALLATION INSTRUCTION,  
GVCS-DBL SIDED, 7' H

THIS DRAWING CONTAINS INFORMATION PROPRIETARY TO CHATSWORTH PRODUCTS, INC. ANY REPRODUCTION DISCLOSURE OR USE OF THIS DRAWING IS EXPRESSLY FORBIDDEN EXCEPT AS AGREED TO IN WRITING BY CHATSWORTH PRODUCTS, INC.

## DOOR COVER ASSEMBLY

Insert plastic hinges (4X) into each door as shown below.



## ATTACH THE COVERS

After aligning hinges over gaps between cable guide fingers, press inward on the cover until hinge snaps in place.

The cover can be hinged open from the left or right, or it can be completely removed.

