

Installation Instructions

GLOBALFRAME BRUSH KIT

Safety Information



CAUTION: Knockout panel may cause injury if it is dropped during removal from the top panel.

Intended Use

Install only in a restricted service environment, such as a data center. Use indoors only, in environmentally controlled areas; do not use outdoors, in harsh environments or in air-handling spaces.

Tools Required

Straight Blade Screw Driver

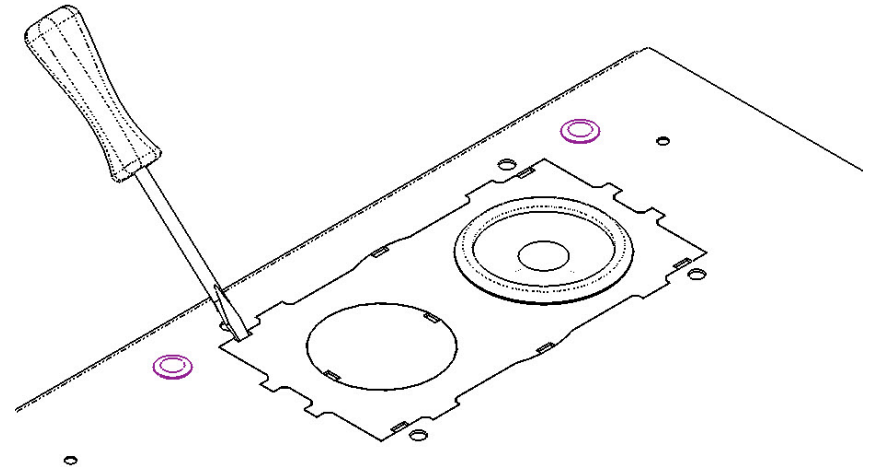
Included Parts

4 Brush Assemblies (2 pair)

Assembly Sequence

1. Knockout Panel Removal:

- a. Determine which knockout will be removed from the Top Panel.
- b. Using a flat bladed screwdriver, insert the blade into the rectangular openings around the edge of the knockout panel. Force the knockout panel upward with a prying action until it breaks loose; **DO NOT PRY THE PANEL DOWNWARD AS THIS COULD CAUSE THE PANEL TO FALL OUT. NEVER REMOVE THE PANEL FROM INSIDE OF THE CABINET.**
- c. Repeat step "b" for each screwdriver opening in the following order:
 - i. Do all openings along one side.
 - ii. Do all openings on the opposite side. When the last opening is broken, lift the panel upward and grasp it with your hands.
 - iii. Continue to raise the panel, it will hinge on the edge that is still attached, until it breaks loose.



CHATSWORTH PRODUCTS, INC.

IIS-725190, 09/09/10, Rev. 1, CPI/J GARZA
800-834-4969 (USA & Canada) • www.chatsworth.com •
techsupport@chatsworth.com
For international phone numbers, see our website or contact CPI Tech Support.

This drawing contains proprietary and confidential information and is protected by U.S. and international law. Unauthorized reproduction, disclosure or use of the drawing or the information therein is expressly forbidden except as agreed to in writing by Chatsworth Products, Inc.

Installation Instructions

GLOBALFRAME BRUSH KIT

2. Brush Assembly Installation:
 - a. Position one brush assembly with its guide pins onto one half of the knockout opening using the alignment holes.
 - b. Push brush assembly onto opening until it snaps into place.
 - c. Repeat steps 2a and 2b to cover entire knockout.
3. Repeat Steps 1 and 2 for second opening if desired.
4. To remove brush assembly:
 - a. Disengage the two small snap hooks on opposite ends of brush assembly.
 - b. Disengage the two large snap hooks next to the guide pins.
 - c. Slide the brush assembly off.
 - d. Repeat for other side brush assembly.

