
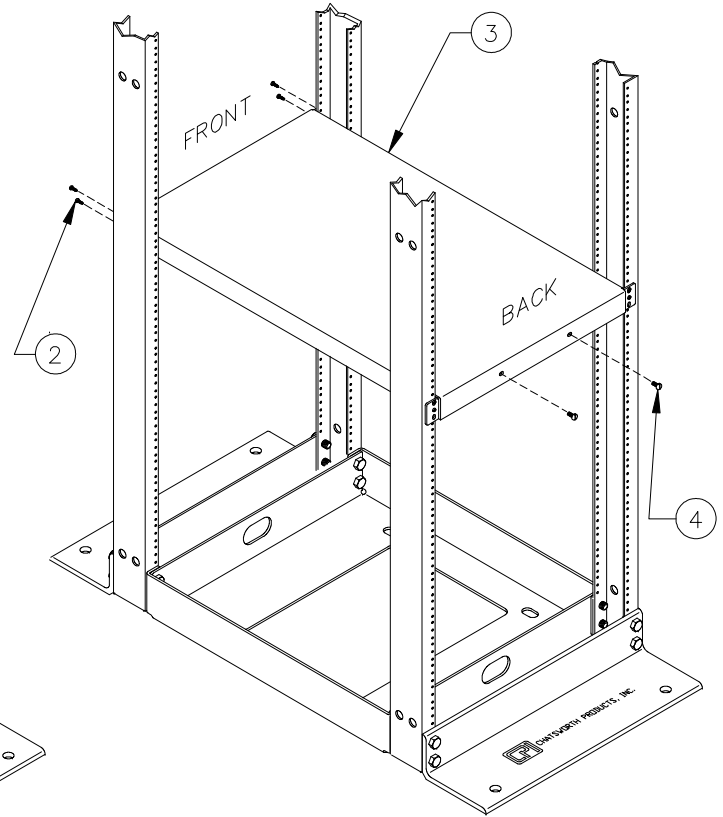
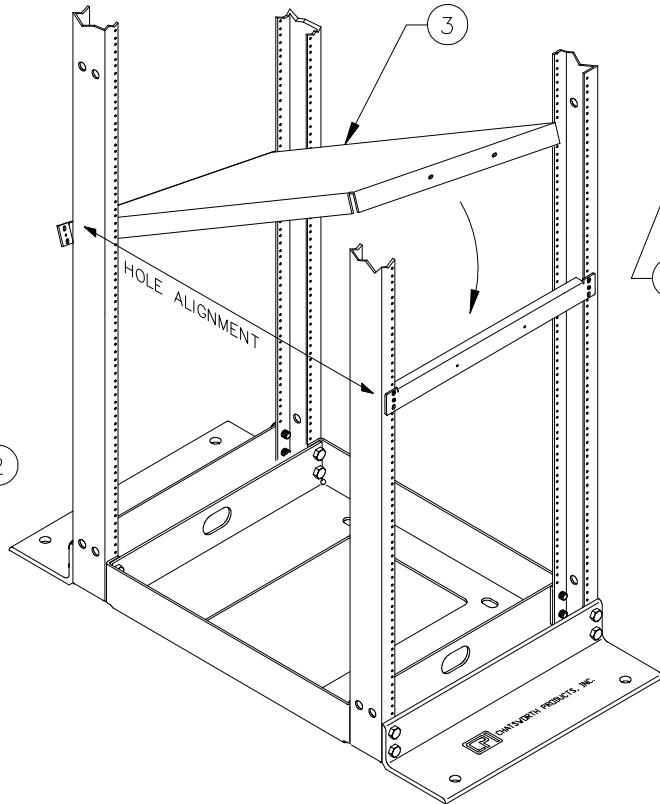
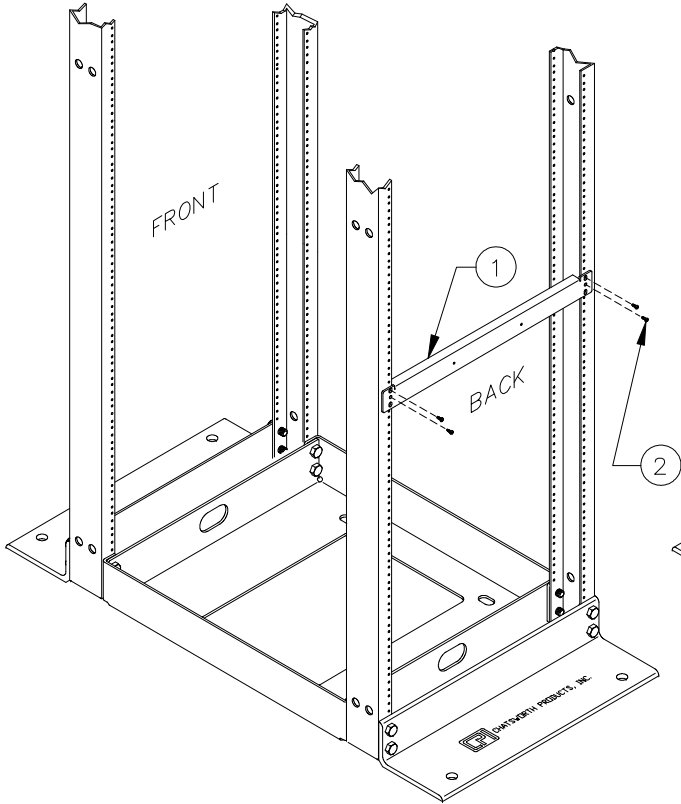

 (2 EA) 8-32 X 3/8 MACHINE SCREW SLOTTED PAN HEAD (025-020001-306)	 (8 EA) INSTALLATION HARDWARE (NOT INCLUDED WITH SHELF KIT)
---	--



1. POSITION SUPPORT BRACKET (ITEM 1) AT DESIRED HEIGHT ON BACK OF RACK.
2. FASTEN SUPPORT BRACKET TO RACK WITH (4) MOUNTING SCREWS/INSTALLATION HARDWARE (ITEM 2).
3. INSTALL SHELF (ITEM 3) BY SETTING THE REAR PART OF THE SHELF ON TOP OF THE SUPPORT BRACKET (ITEM 1).
4. MAKE SURE THAT THE SHELF IS LEVEL, THEN FASTEN THE FRONT OF THE SHELF TO THE RACK WITH (4) MOUNTING SCREWS/INSTALLATION HARDWARE (ITEM 2). NOTE: THE HOLES USED TO MOUNT THE SUPPORT BRACKET (ITEM 1) ON THE BACK OF RACK LINE-UP HORIZONTALLY WITH THE HOLES USED TO MOUNT THE SHELF ON THE FRONT OF THE RACK.
5. FASTEN SHELF TO SUPPORT BRACKET (ITEM 1) WITH (2) 8-32 SCREWS (ITEM 4).


CHATSWORTH PRODUCTS, INC.

SHELF, HEAVY DUTY, QUADRA RACK, INSTRUCTIONS

THIS DRAWING CONTAINS INFORMATION PROPRIETARY TO CHATSWORTH PRODUCTS, INC. ANY REPRODUCTION DISCLOSURE OR USE OF THIS DRAWING IS EXPRESSLY FORBIDDEN EXCEPT AS AGREED TO IN WRITING BY CHATSWORTH PRODUCTS, INC.