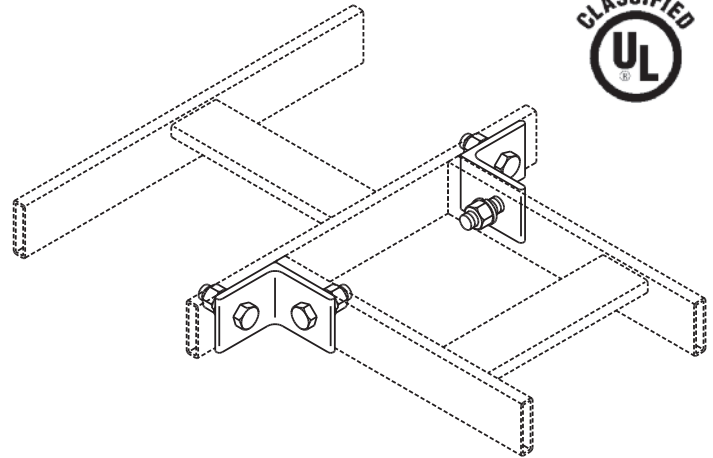


Product Cut Sheet

HEAVY-DUTY JUNCTION-SPLICE KIT

Bolt-through junction splice kit for vertical runs or to meet seismic requirements.

- Material; 2" x 2" x 3/16" (50 mm x 50 mm x 4.762 mm) steel angle
- Cable runway drilling is required
- Kit consists of:
 - 2 each splice angles
 - 4 each 3/8-16 x 1-1/4" hex cap screws
 - 4 each 3/8-16" hex nuts
 - 4 each 3/8" split lock washers



Part Number	Description	Shipping Weight
11298-X01	Heavy-Duty Junction Splice	3 lb (1.4 kg)
16298-X01	U.L. Classified Junction Kit	3 lb (1.4 kg)

* Note: X=color over zinc: 0=Gold, 7=Black

800-834-4969 in U.S. & Canada • www.chatsworth.com



CHATSWORTH PRODUCTS, INC.

©2010 Chatsworth Products, Inc. All rights reserved. CPI, CPI Passive Cooling, MegaFrame, Saf-T-Grip, Seismic Frame, SlimFrame, TeraFrame, Cube-IT Plus, Evolution, OnTrac, and QuadraRack are federally registered trademarks of Chatsworth Products, Inc. GlobalFrame, Simply Efficient and Velocity are trademarks of Chatsworth Products, Inc. All other trademarks belong to their respective companies. 12/10