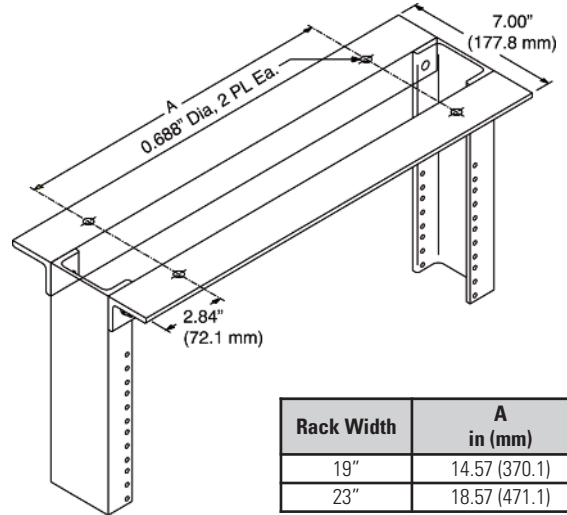


Product Cut Sheet

HEAVY DUTY TOP ANGLE

Optional top angle for CPI Universal, 3"D (80 mm) Standard or 6"D (150 mm) Standard Rack.

- Material is aluminum extrusion
- Top Angle is L-shaped and 1-1/2" x 2" x 1/4" (38 mm x 51 mm x 6.4 mm) thick
- Recommended for use in pairs with 10562-001 Universal Earthquake Bracing Kit
- Sold individually



Part Number		Shipping Weight lb (kg)
19" Rack	23" Rack	
10473-X01	10473-X02	3 (1.4)

X=color: 1=Gray, 2=Computer Beige, 5=Clear, 7=Black, E=Glacier White

800-834-4969 in U.S. & Canada • www.chatsworth.com



©2013 Chatsworth Products, Inc. All rights reserved. CPI, CPI Passive Cooling, GlobalFrame, MegaFrame, Saf-T-Grip, Seismic Frame, SlimFrame, TeraFrame, Cube-IT Plus, Evolution, OnTrac, Velocity and QuadraRack are federally registered trademarks of Chatsworth Products. eConnect and Simply Efficient are trademarks of Chatsworth Products. All other trademarks belong to their respective companies. 6/13