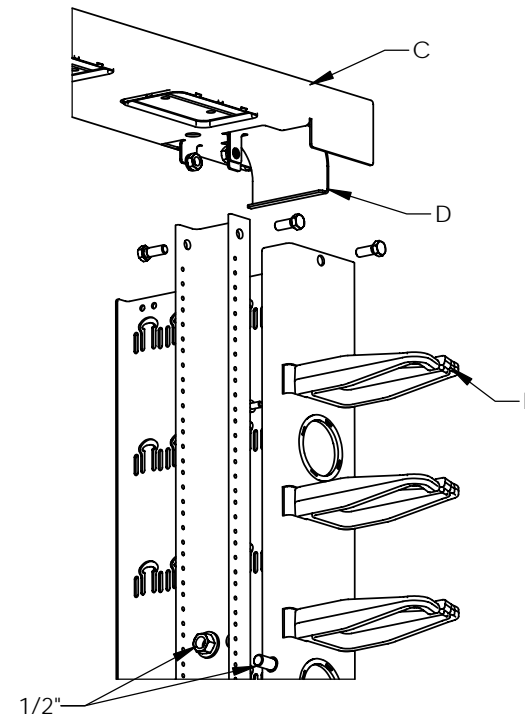
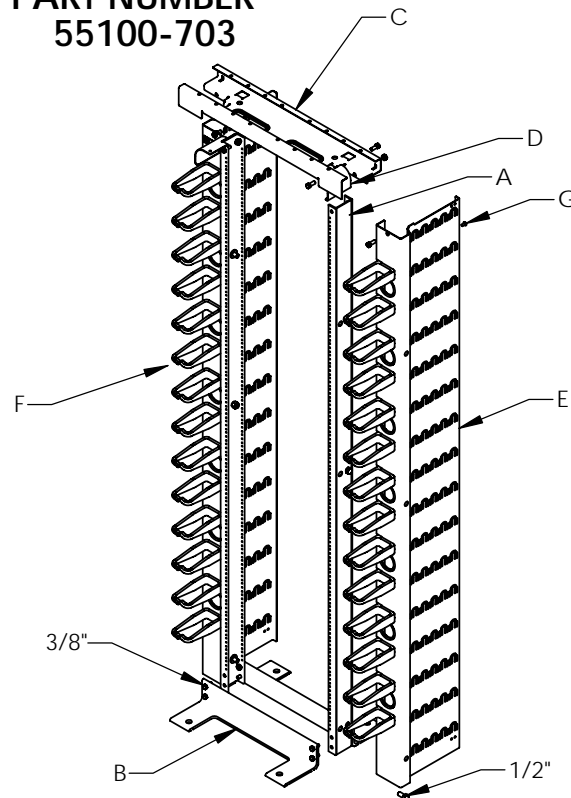


Item	Quantity	Component Description
A	2	Frame Mounting Channel
B	2	Base Angle
C	1	Top Trough
D	1 - Left 1 - Right	Trough Radius Plate
E	1 - Left 1 - Right	Cable Management Fin
F	28	Cable Management Rings
G	28	1/4"-15 x 1/2" Screw
H	14	3/8"-16 x 1" Hex Bolt, Black
J	14	3/8"-16 Hex Nut, Black
K	14	3/8" Split Lock Washer, Black
L	6	1/2"-20 x 1" Hex Bolt, Zinc
M	6	1/2"-20 Hex Nut, Zinc
N	6	1/2" Flat Washer, Zinc
P	50 - pack	#12-24 Mounting Screws, Black (not shown)

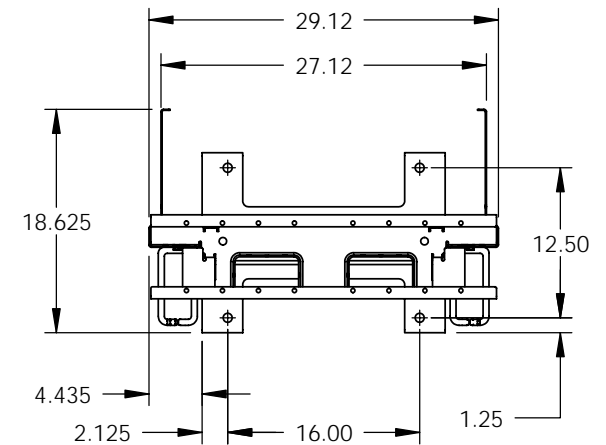
## INSTRUCTIONS

- Step 1** On a flat surface, align the frame mounting channels (A) with the channels facing inward [ ]. Attach one of the base angles (B) with four 3/8" nuts, bolts and lock-washers using a 9/16" socket and open-end wrench through the double holes at the bottom end of the channels. **Do not tighten the bolts.**
- Step 2** Attach the top trough (C) and trough radius plates (D) with four 3/8" nuts, bolts and lock-washers through the single holes at the top of the channels. (See Detail "A".) **Do not tighten the bolts.**
- Step 3** Flip the frame over and attach the second base angle (B) with four 3/8" nuts, bolts and lock-washers through the double holes at the bottom end of the channels. **Do not tighten the bolts.**
- Step 4** Stand the frame assembly upright; square the assembly and tighten all bolts.
- Step 5** Slide the tabs of the cable management rings (F) into the slots on the cable management fins (E) and secure with the 1/4" x 1/2" long screws (G). Rings also may be installed or repositioned after assembly has been completed.
- Step 6** Attach the cable management fin assemblies (E) to back holes in each side of the frame assembly with the 1/2" nuts, bolts and flat washers using a 3/4" socket and open-end wrench. Secure the cable management fin assemblies to the top trough with the remaining two 3/8" nuts, bolts and lock-washers.

PART NUMBER  
55100-703



DETAIL A



**CPI** CHATSWORTH PRODUCTS, INC.

HIGH DENSITY  
PATCHING  
FRAME

THIS DRAWING CONTAINS INFORMATION PROPRIETARY TO CHATSWORTH PRODUCTS, INC. ANY REPRODUCTION DISCLOSURE OR USE OF THIS DRAWING IS EXPRESSLY FORBIDDEN EXCEPT AS AGREED TO IN WRITING BY CHATSWORTH PRODUCTS, INC.